

Kiron 70-210mm f4

PARTS / SERVICE MANUAL
PUBLICATION NUMBER PL590



1. DRAWINGS

Complete "exploded" drawings are provided for each mount type. Each part is assigned a reference number for cross-reference to the part number in the parts list.

2. PARTS LIST

Parts are called out by part number, reference number and part description. Total part quantities are listed by mount type. The mount types are referred to as follows:

- C = Canon C/FD mount
- N = Nikon N/AI mount
- M = Minolta M/MD mount
- O = Olympus O/OM mount
- F = Pentax F/K mount
- Y = Yashica/Contax Y/C mount
- K = Konica K/AR mount

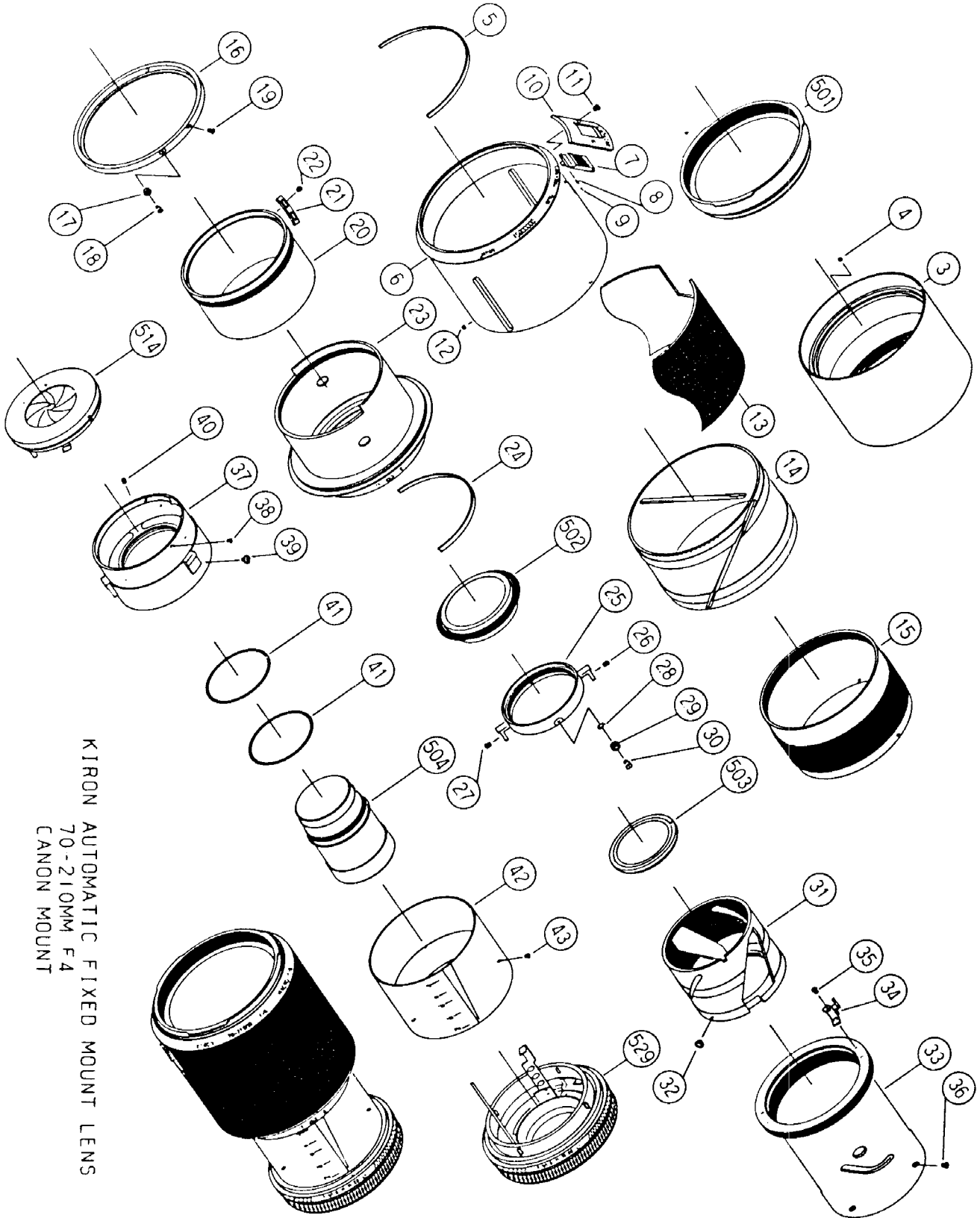
3. DISASSEMBLY/REASSEMBLY PROCEDURES

The procedures apply to one mount type only. Parts which are exclusive to this mount type are described by part description and reference number, followed by the mount type designation. Parts which are common to other mount types are described by part description and reference number only.

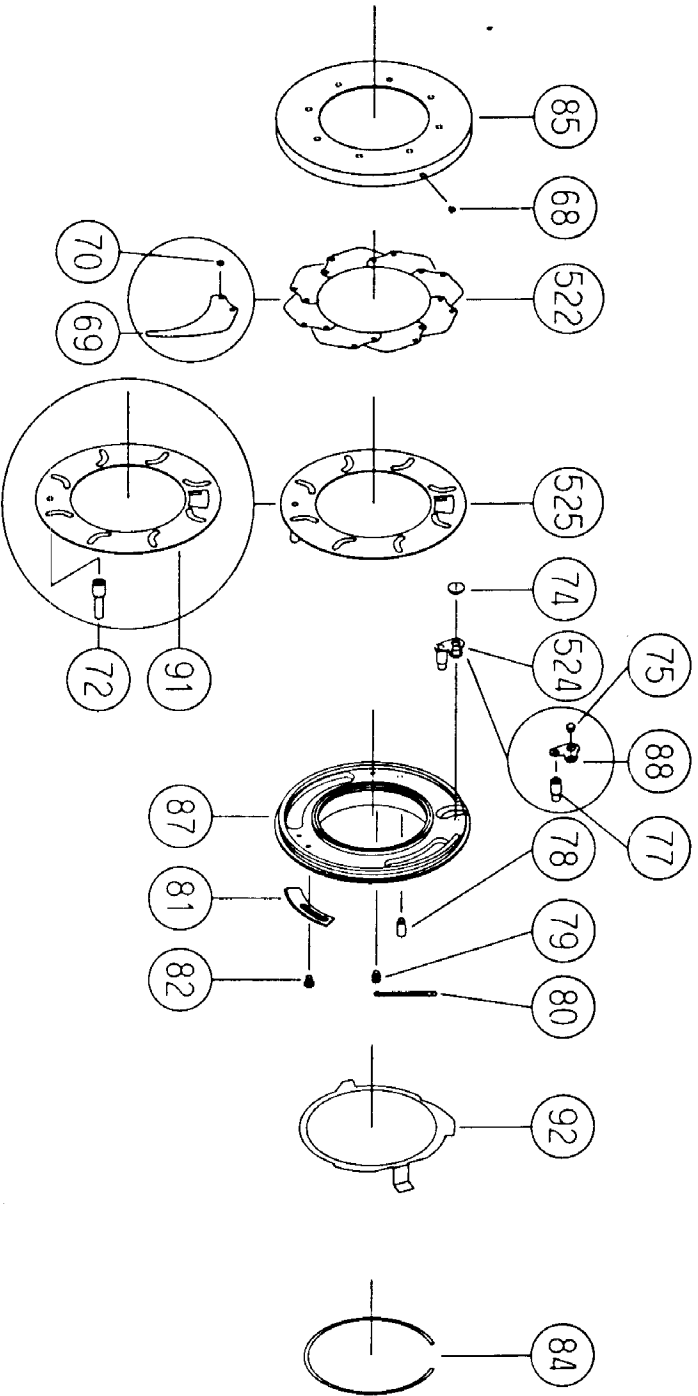
4. HOW TO ORDER PARTS

When ordering parts, please furnish the name of the product for which parts are being ordered, and identify each part by part number and part description.

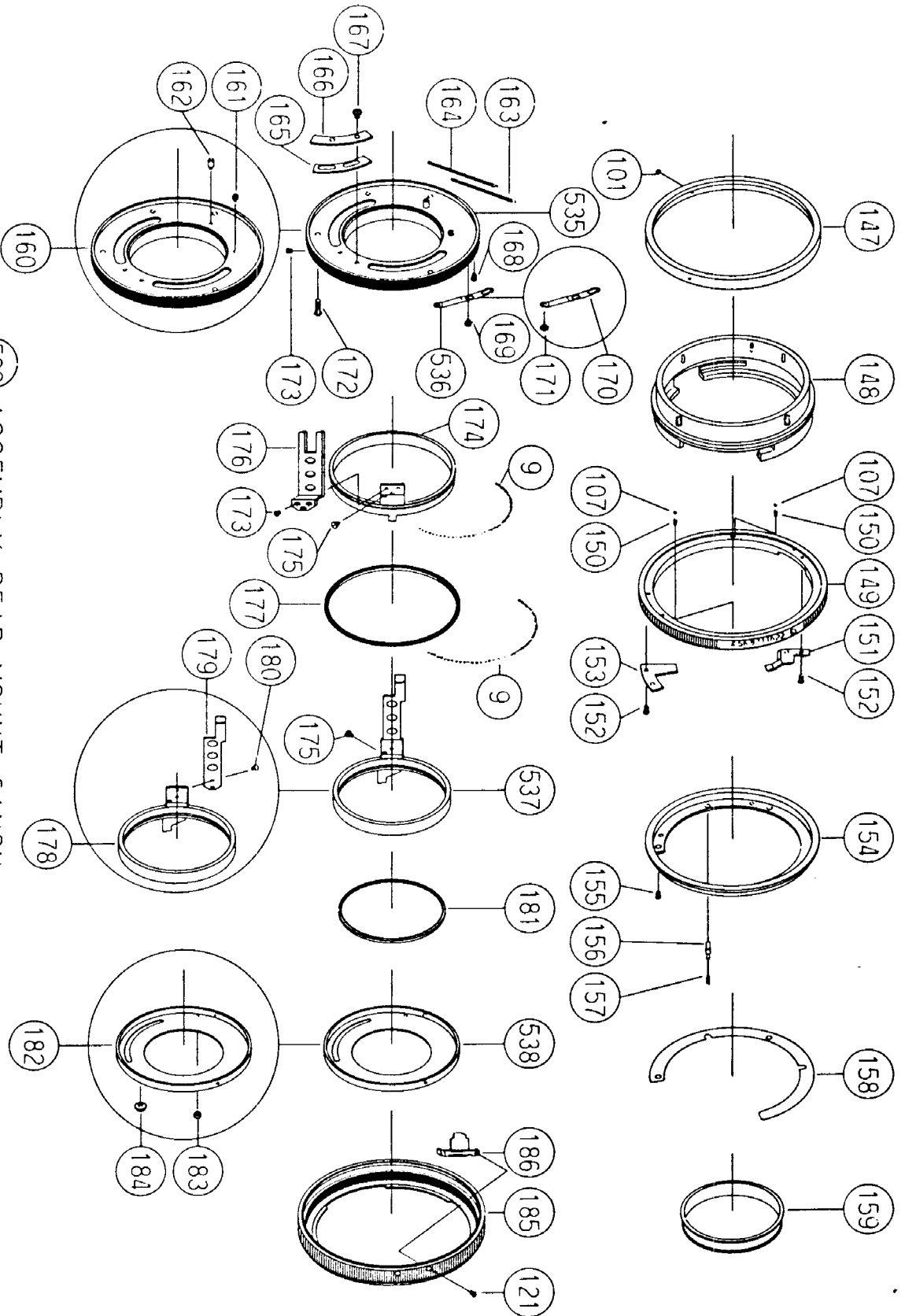
Parts orders shall be addressed to: International Operations Department
KINO PRECISION INDUSTRIES, LTD.
26, 1-Chome, Toyomata Kita
Nerima-ku, TOKYO, JAPAN



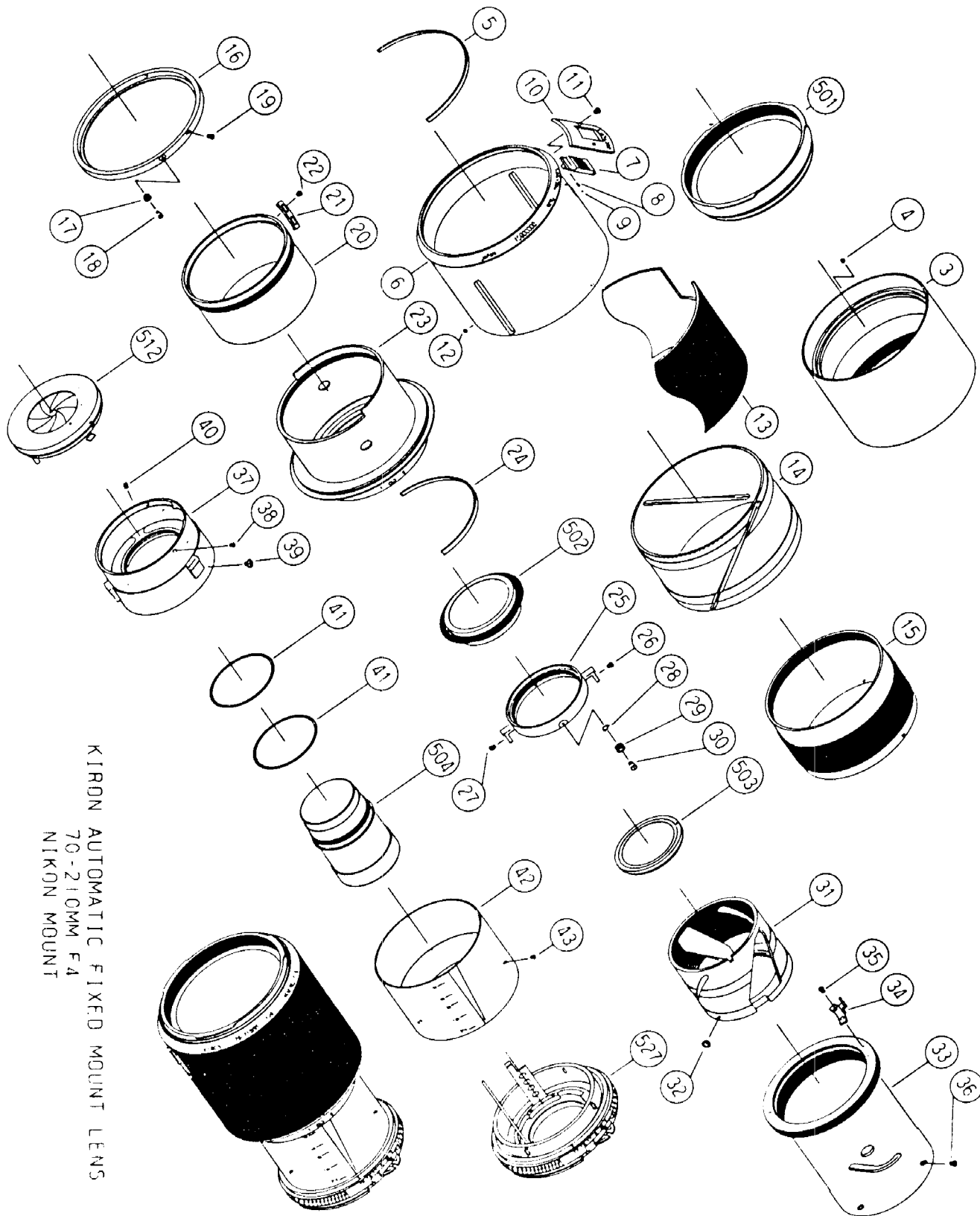
KIRON AUTOMATIC FIXED MOUNT LENS
70-210MM F4
CANON MOUNT



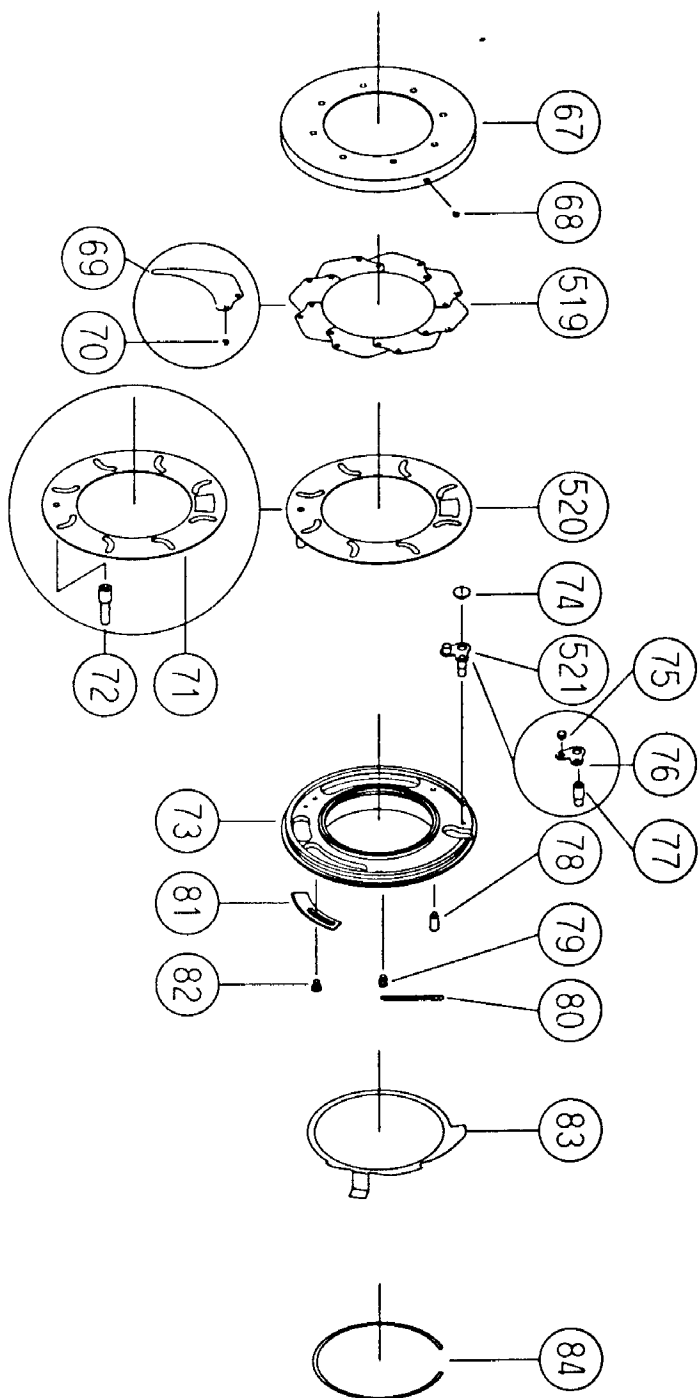
514-ASSEMBLY, DIAPHRAGM HOUSING, CANON MOUNT
70-210MM F4



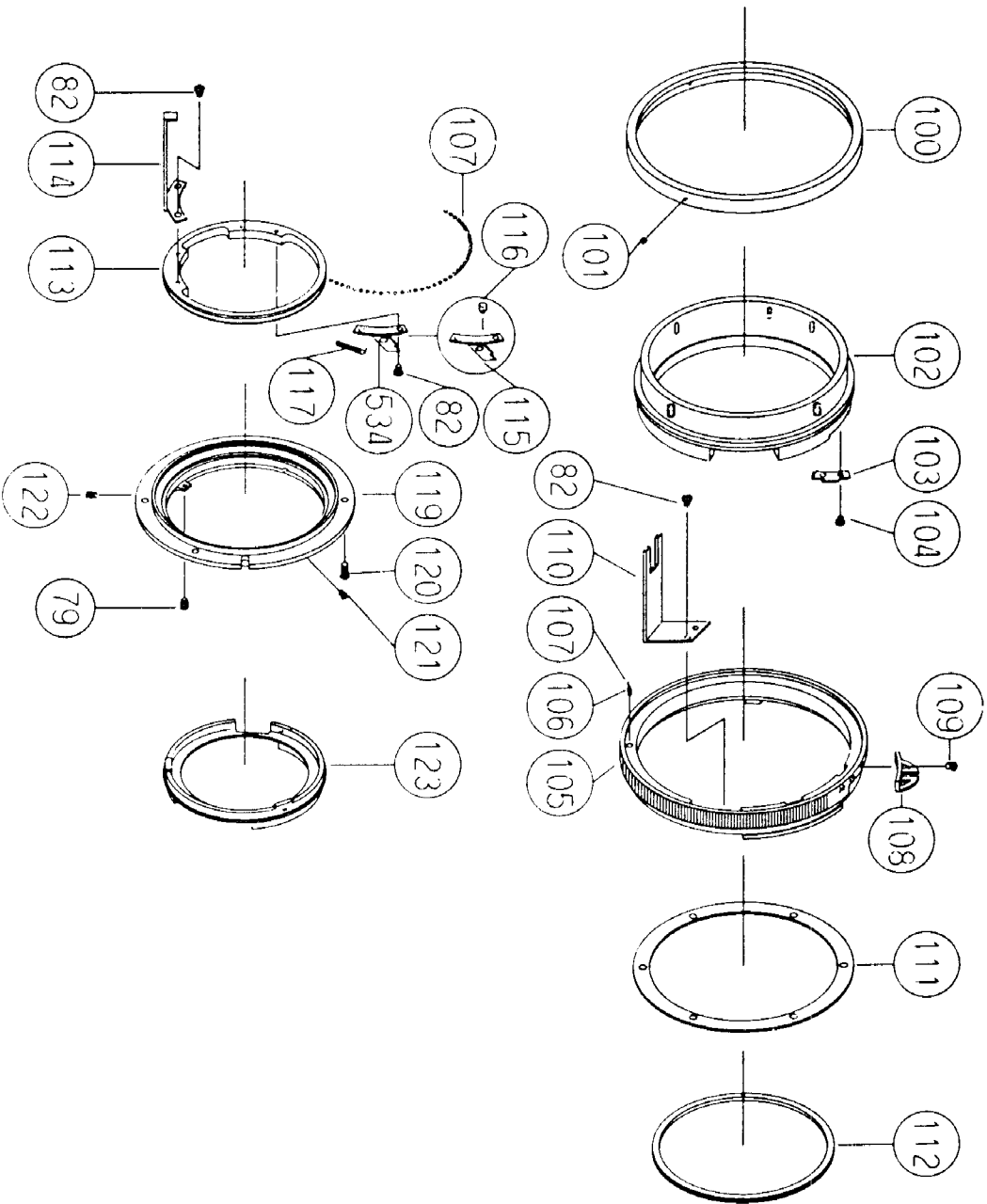
529 ASSEMBLY, REAR MOUNT, CANON
70-210MM F4



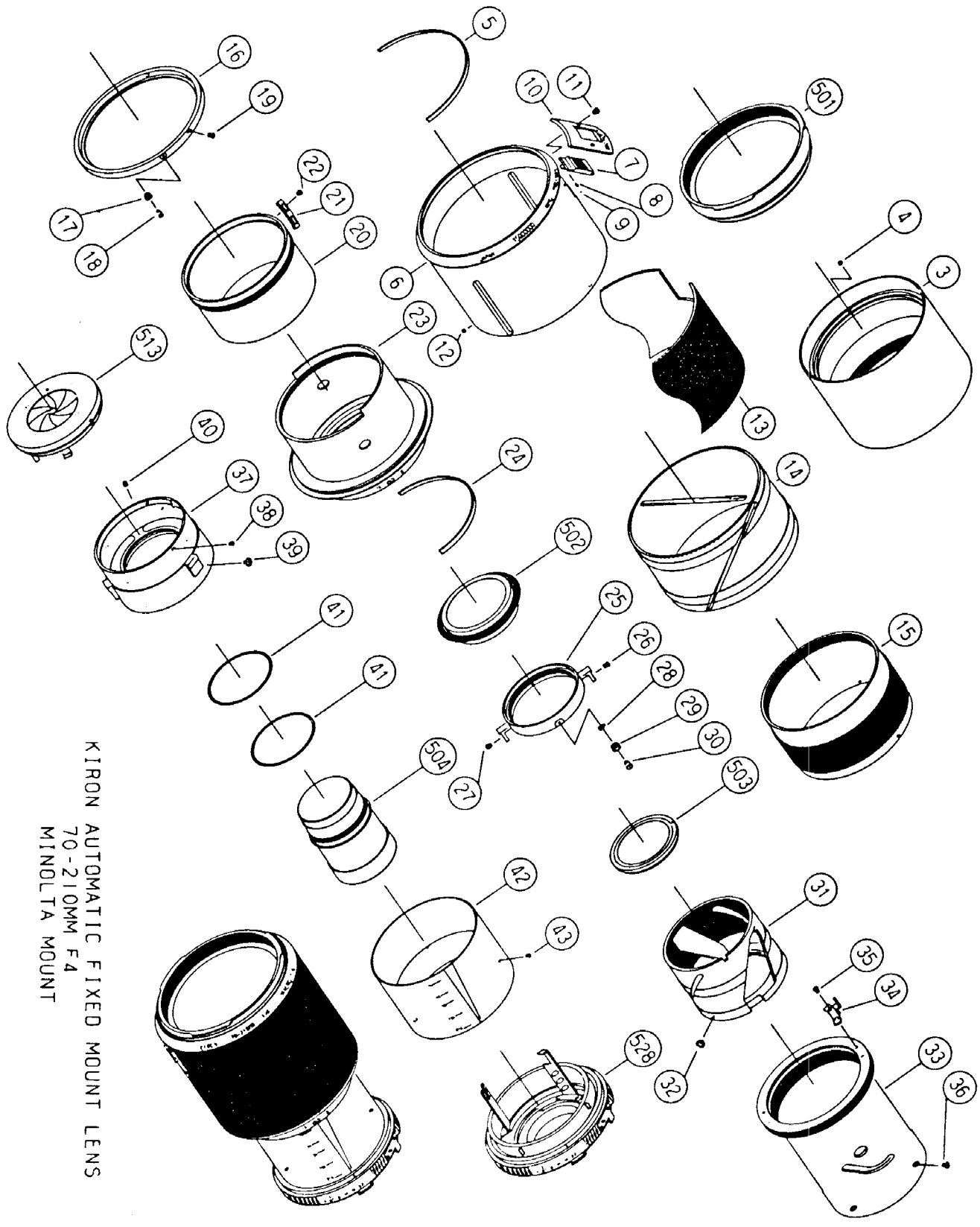
KIRON AUTOMATIC FIXED MOUNT LENS
70-210MM F4
NIKON MOUNT



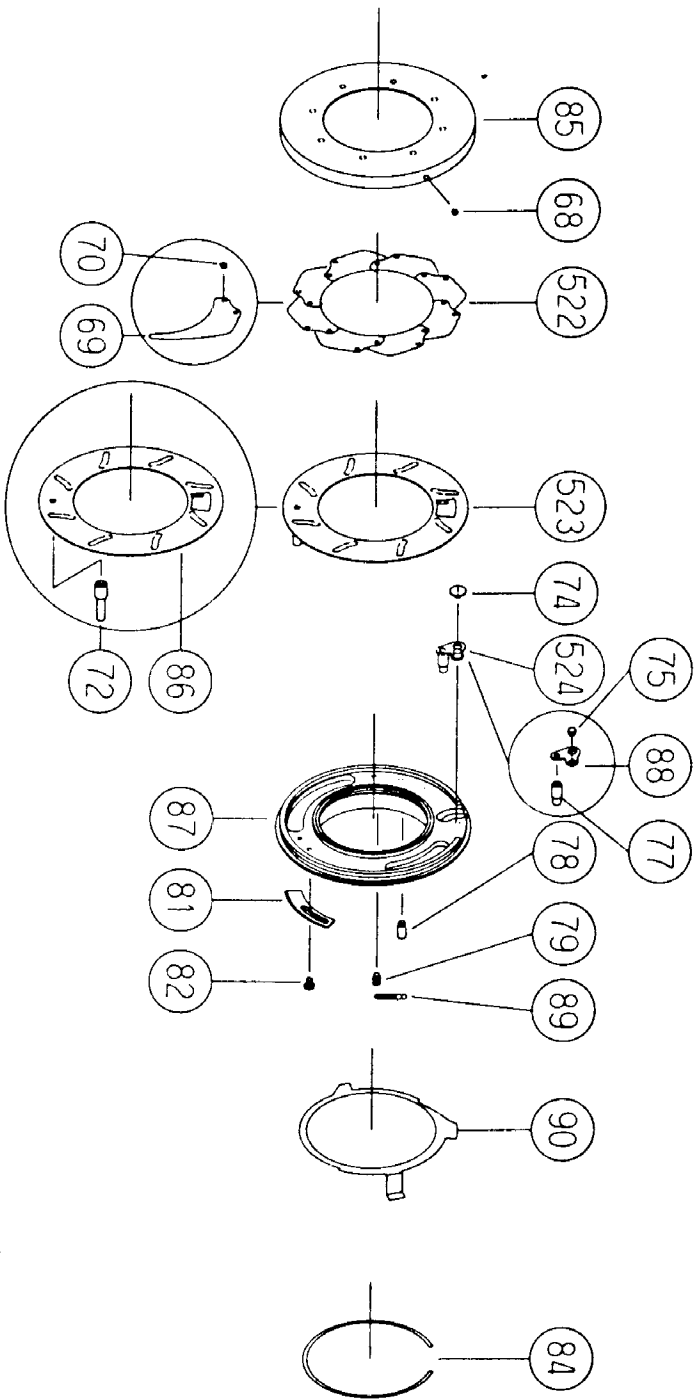
512-ASSEMBLY, DIAPHRAGM HOUSING, NIKON MOUNT
70-210MM F4



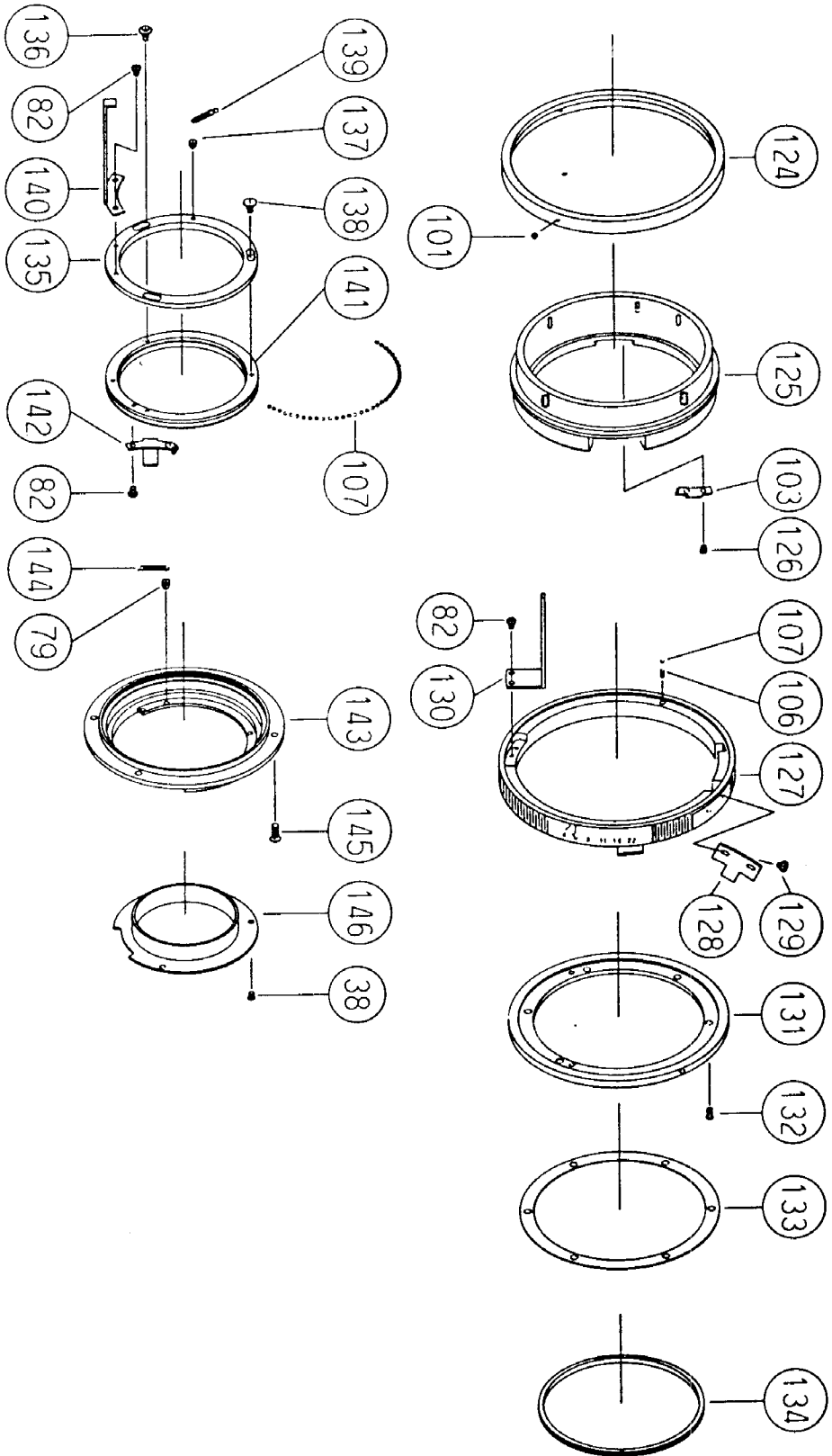
527 ASSEMBLY, REAR MOUNT, NIKON
70-210MM F4



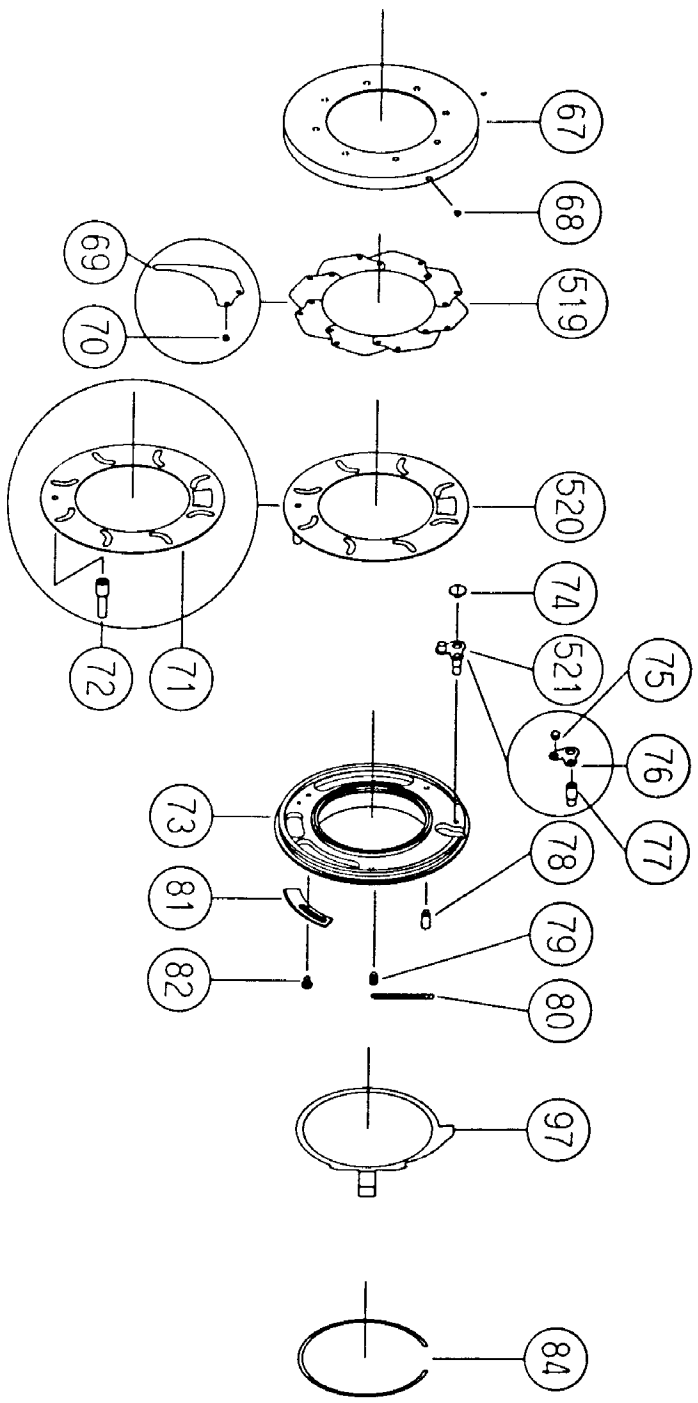
KIRON AUTOMATIC FIXED MOUNT LENS
70-210MM F4
MINOLTA MOUNT



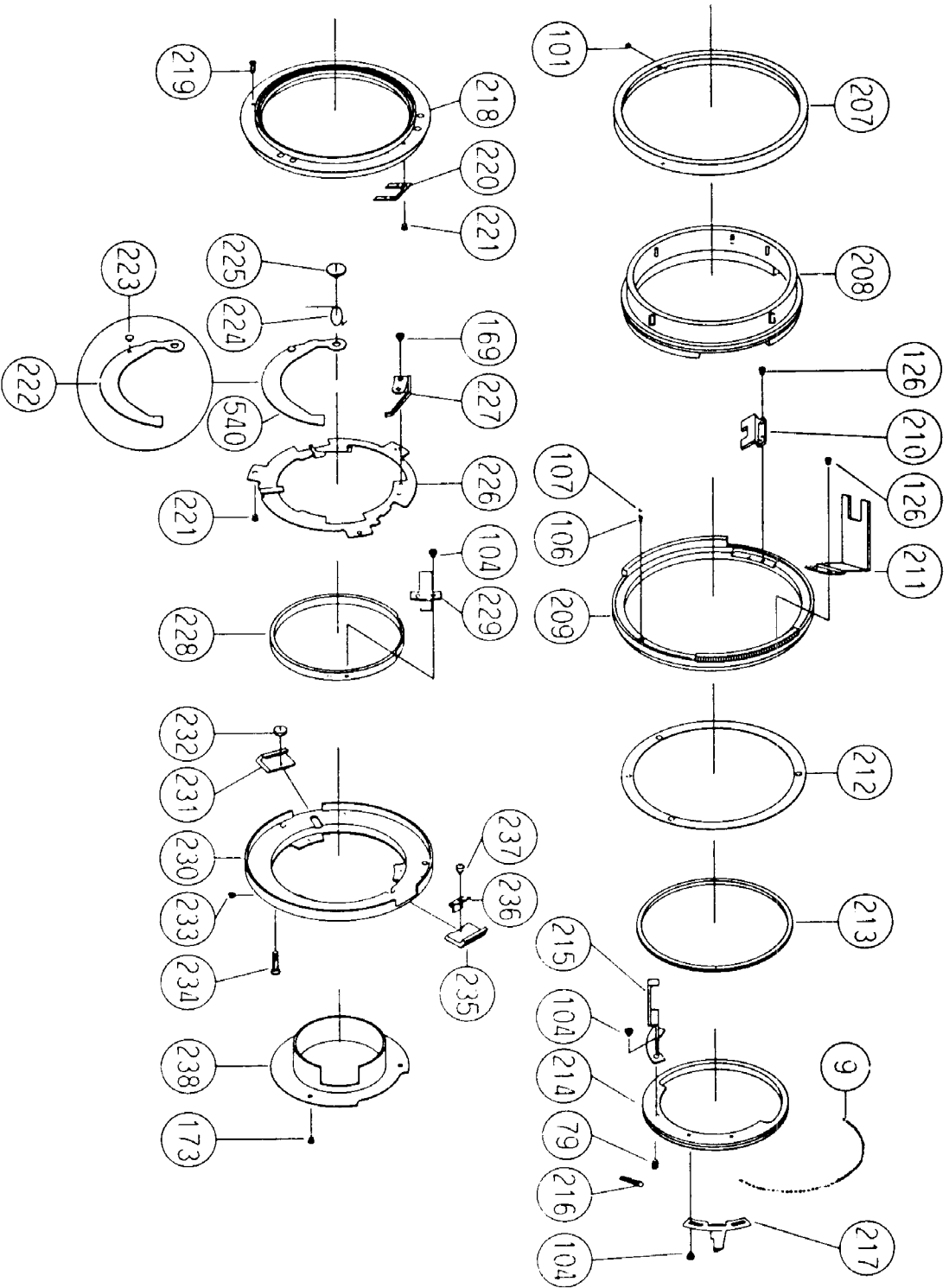
513-ASSEMBLY, DIAPHRAGM HOUSING, MINOLTA MOUNT
70-210MM F4



528-ASSEMBLY, REAR MOUNT, MINOLTA
70-210MM F4

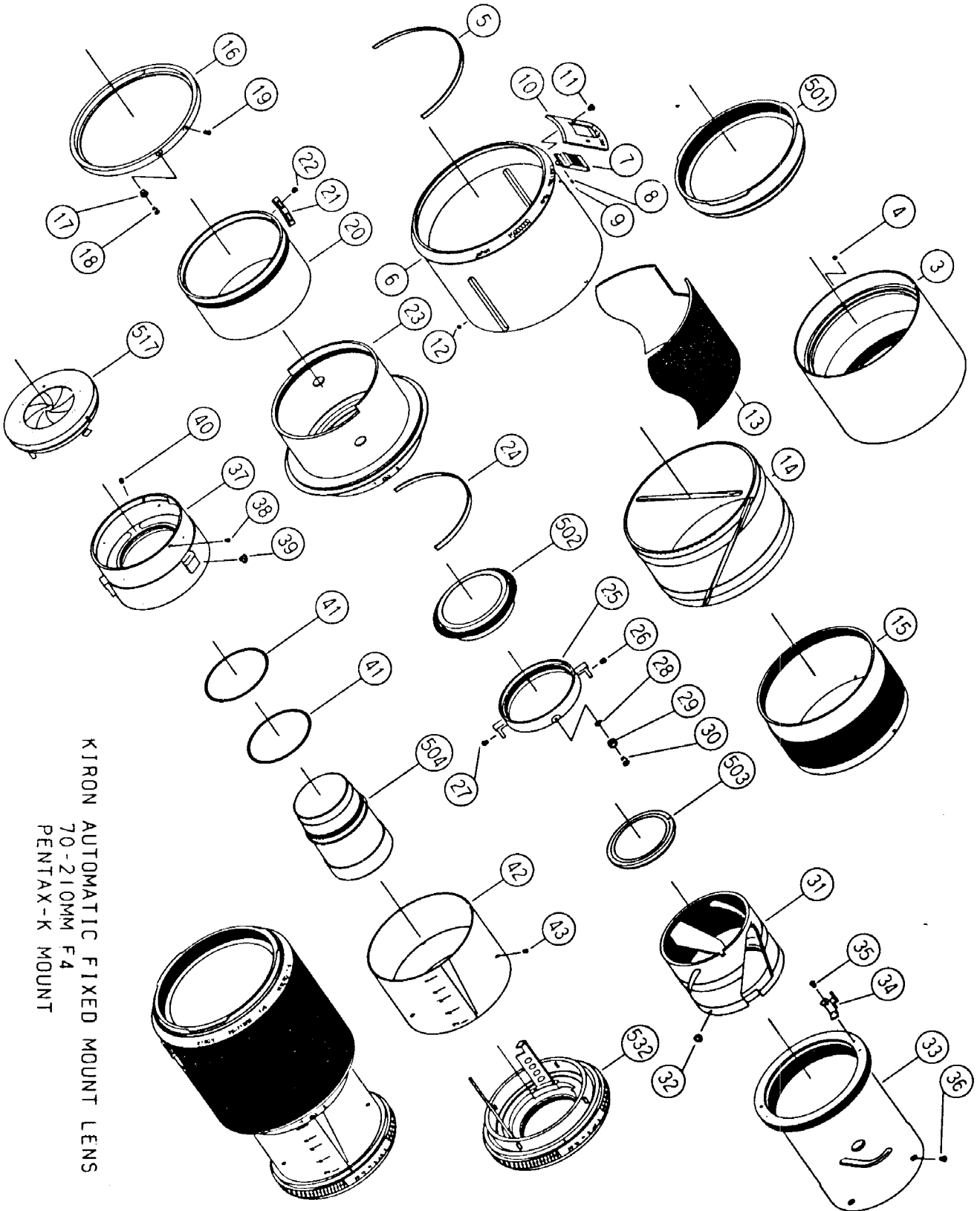


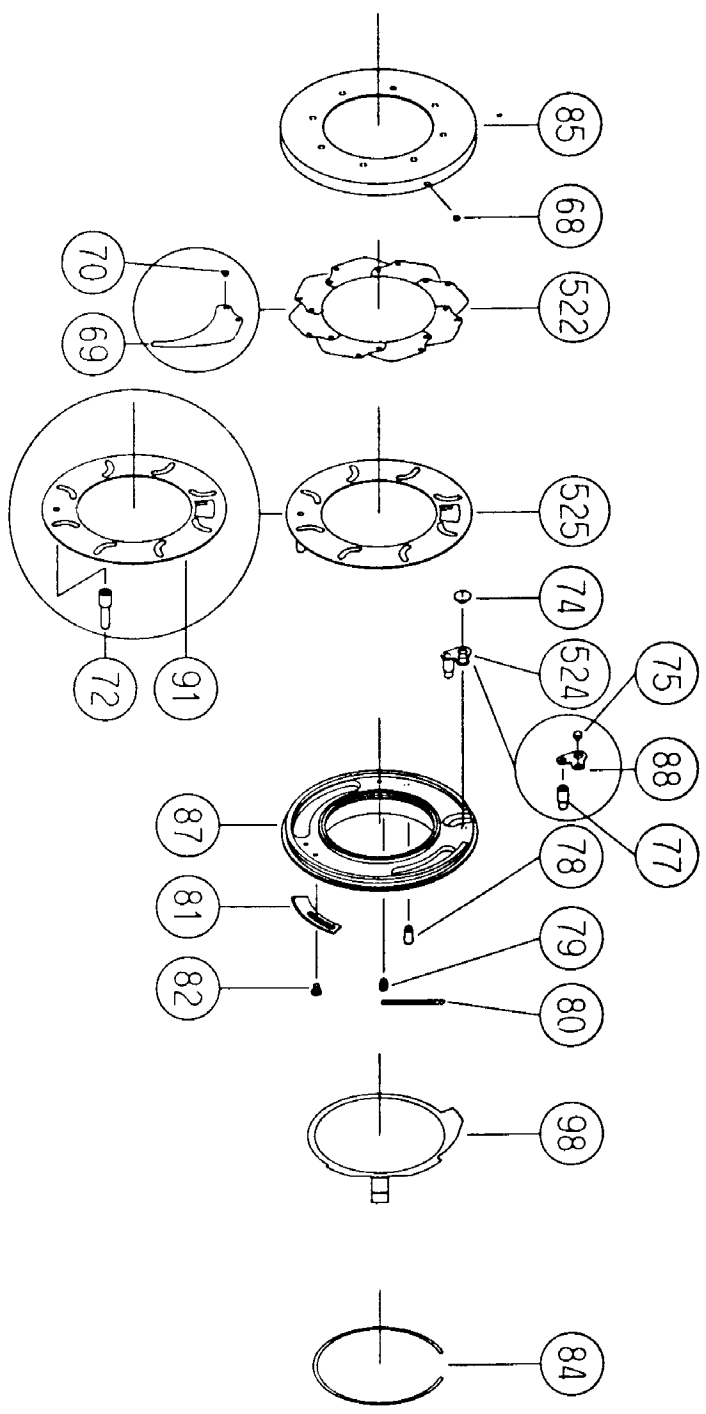
516-ASSEMBLY, DIAPHRAGM HOUSING, OLYMPUS MOUNT
70-210MM F4



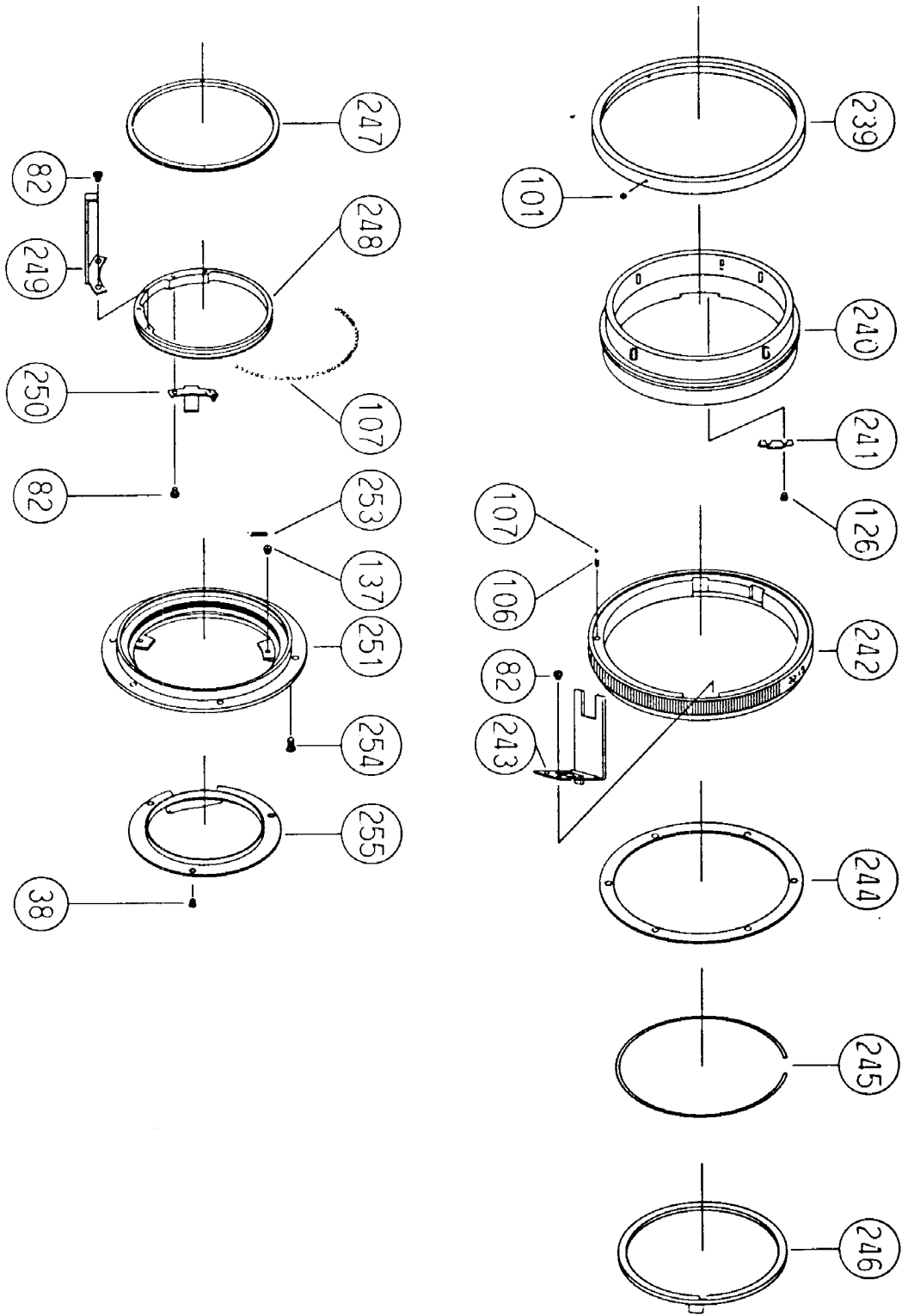
531-ASSEMBLY, REAR MOUNT, OLYMPUS

70-210MM F4

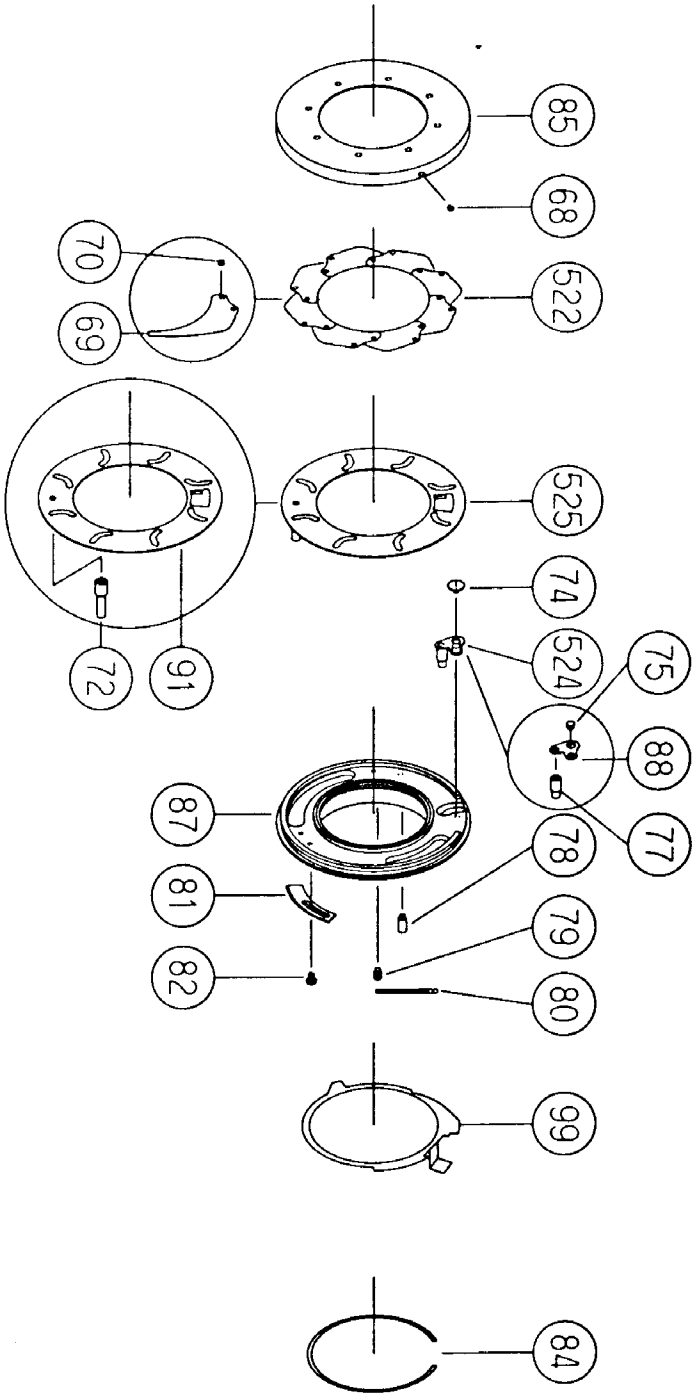




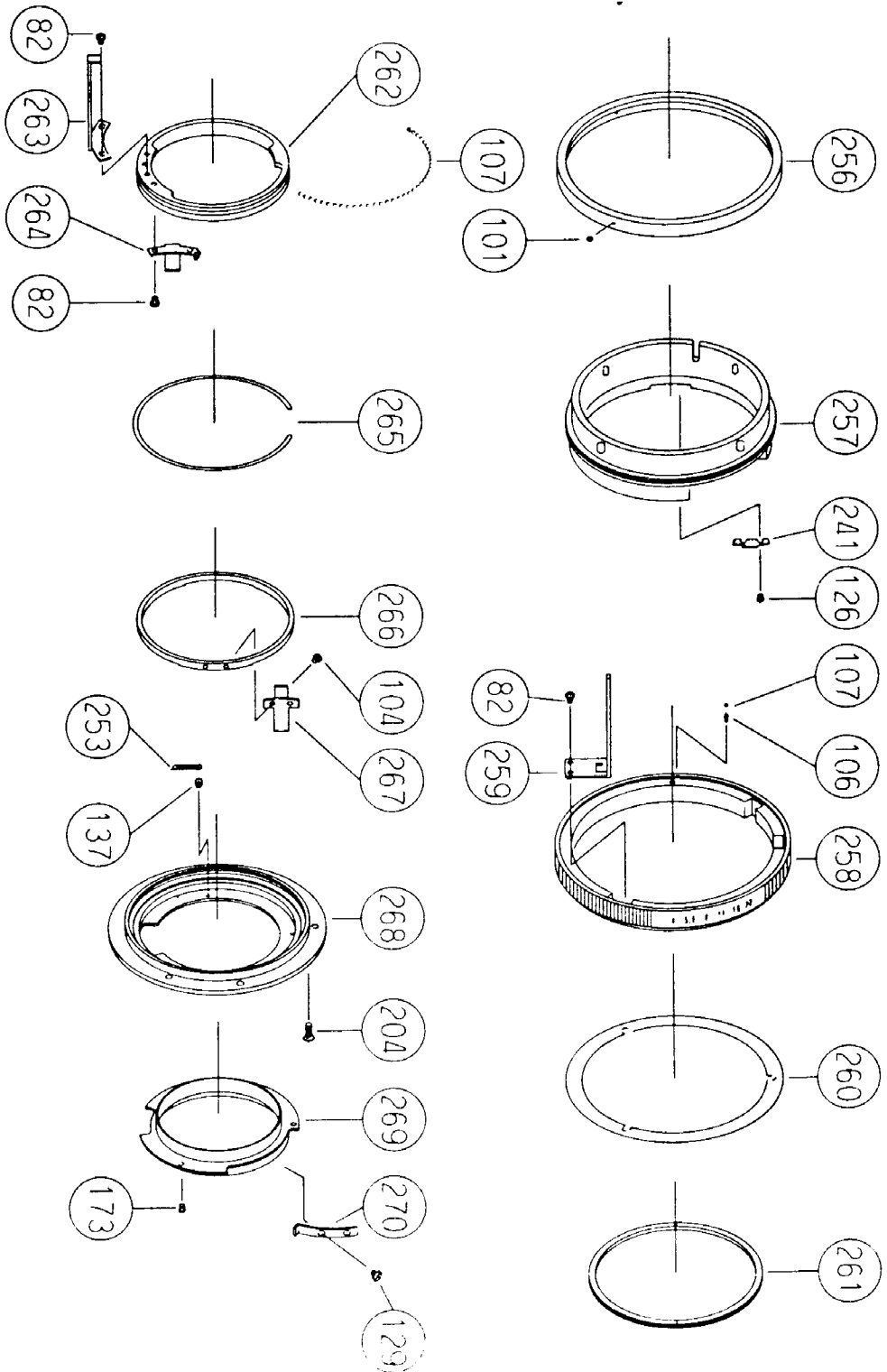
517-ASSEMBLY, DIAPHRAGM HOUSING, PENTAX-K MOUNT
70-210MM F4



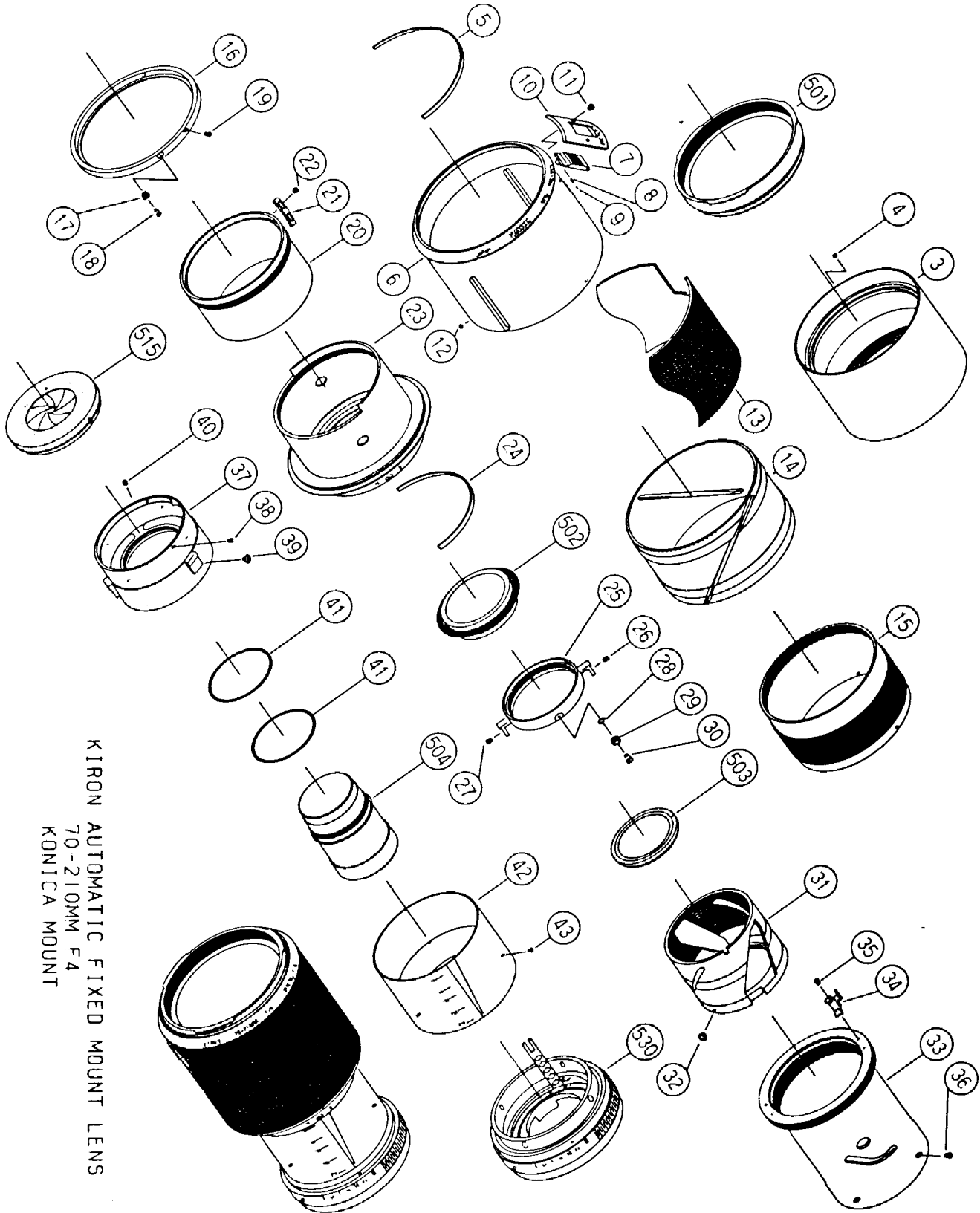
532-ASSEMBLY, REAR MOUNT, PENTAX-K
70-210MM F 4



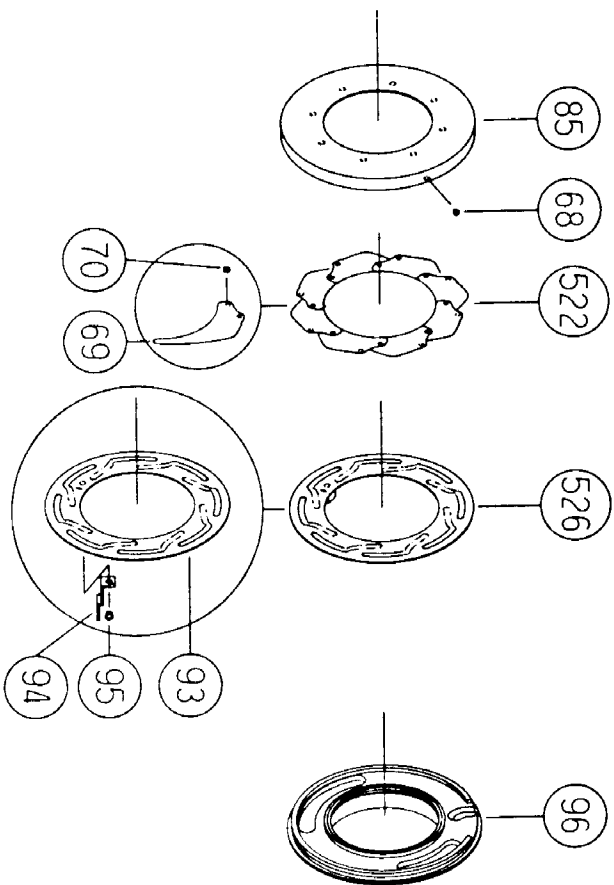
518-ASSEMBLY, DIAPHRAGM HOUSING, CONTAX MOUNT
70-210MM F4



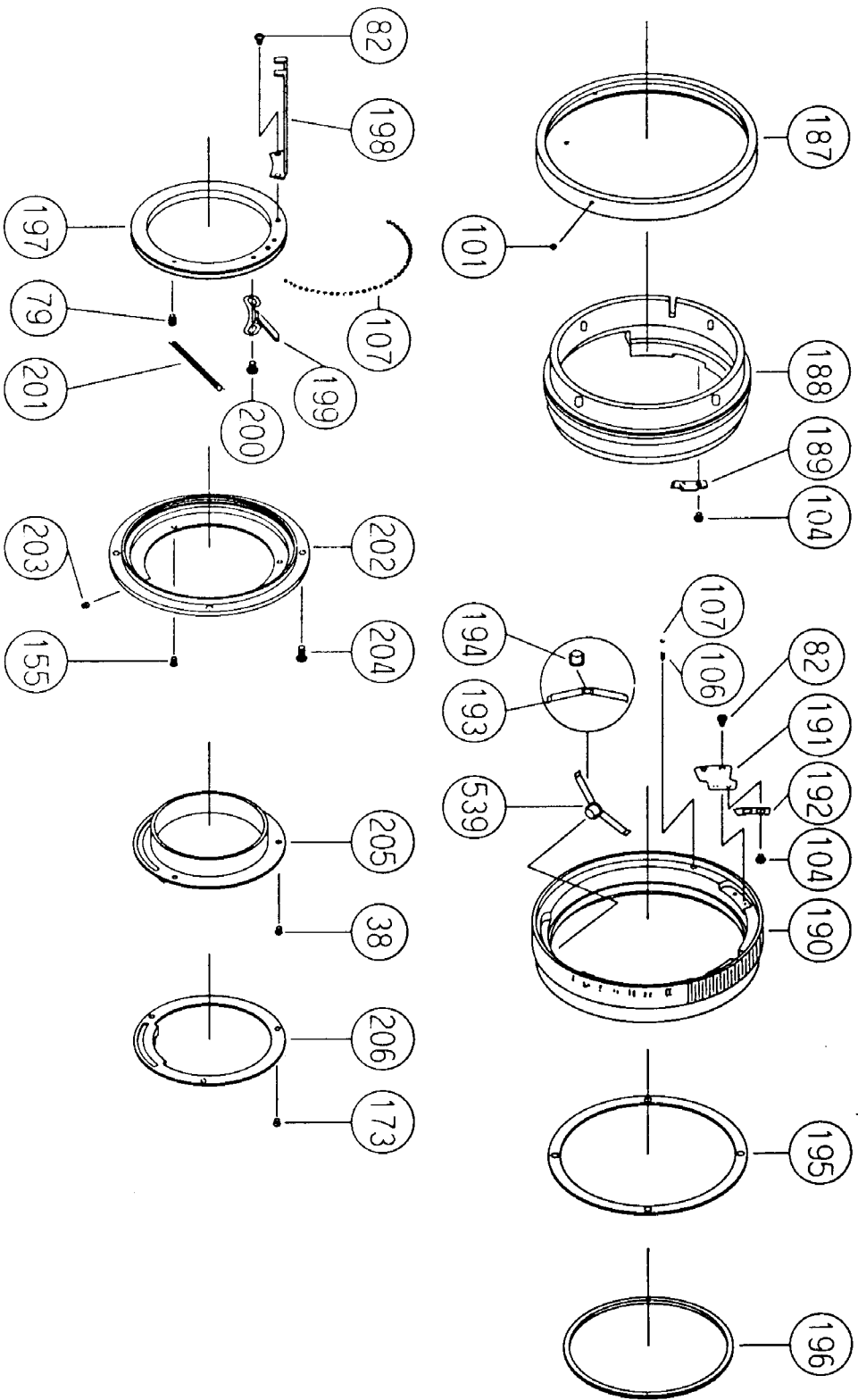
533-ASSEMBLY, REAR MOUNT, CONTAX
70-210MM F4



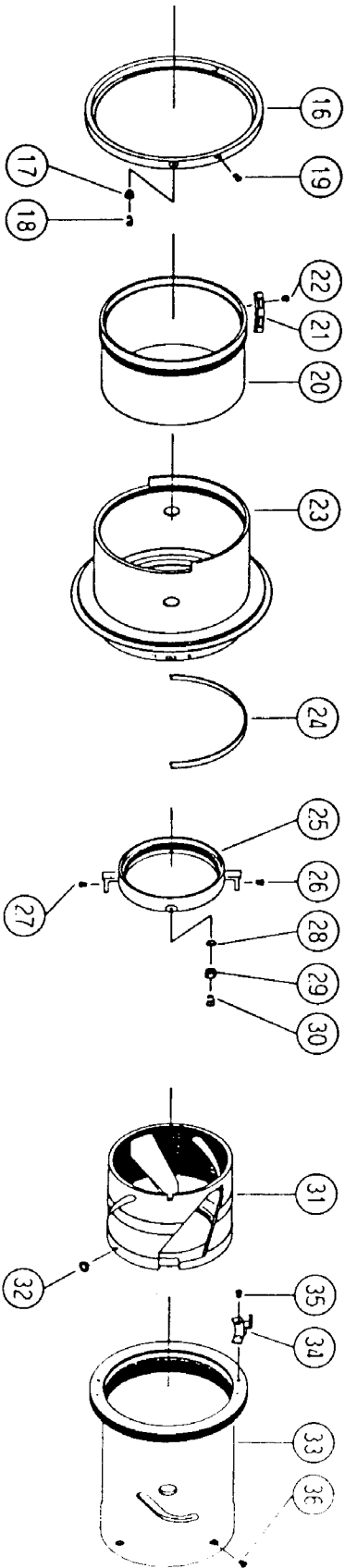
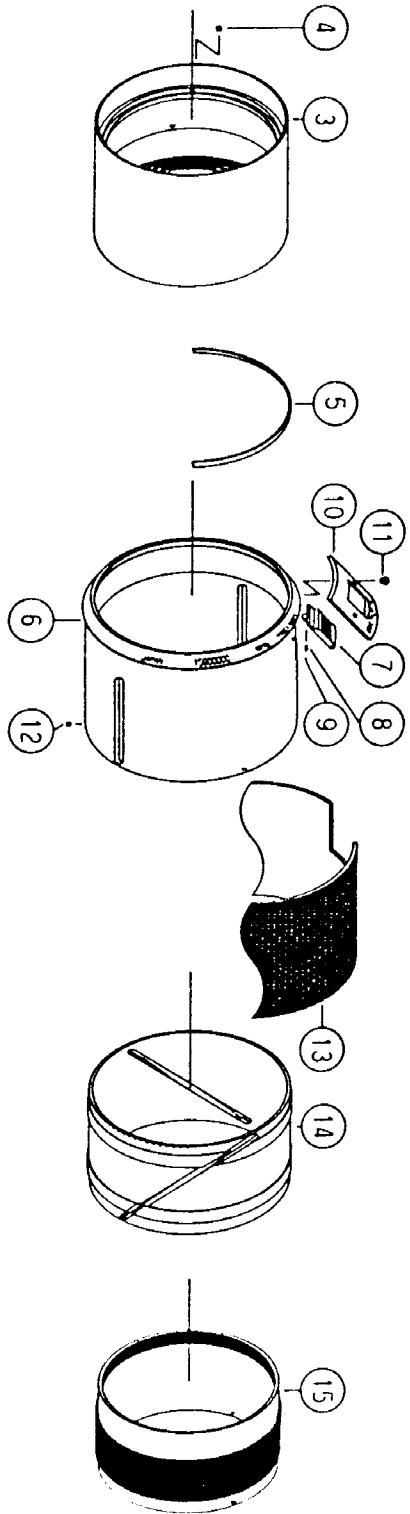
KIRON AUTOMATIC FIXED MOUNT LENS
70-210MM F4
KONICA MOUNT



515-ASSEMBLY, DIAPHRAGM HOUSING, KONICA MOUNT
70-210MM F 4

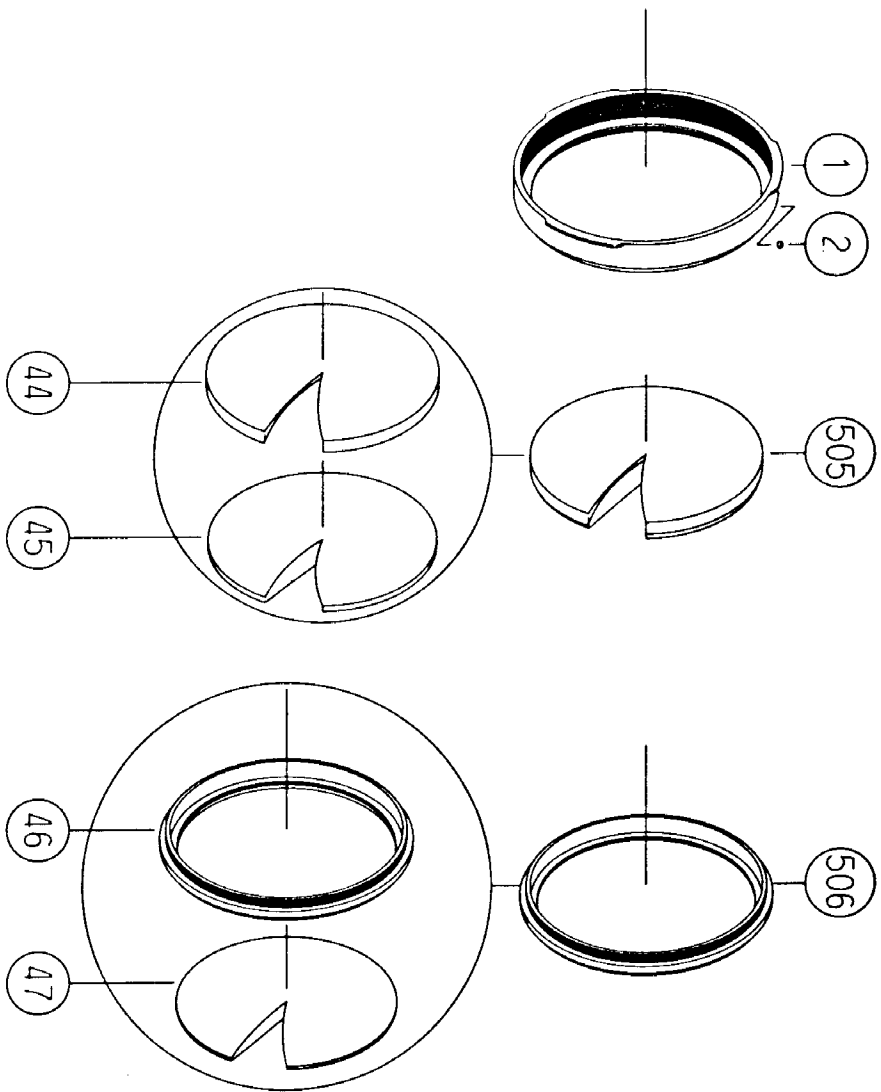


530-ASSEMBLY, REAR MOUNT, KONICA
70-210MM F 4

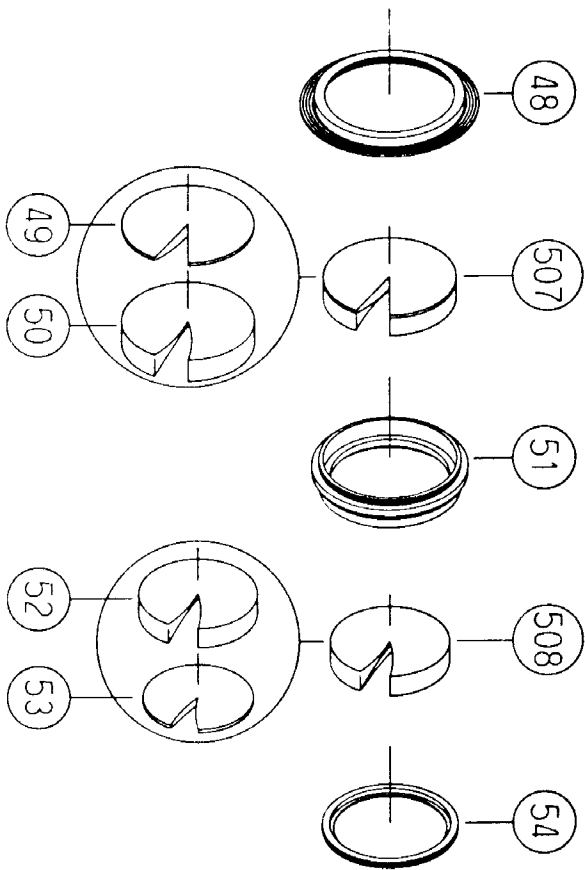


543 - HELICOID ASSEMBLY

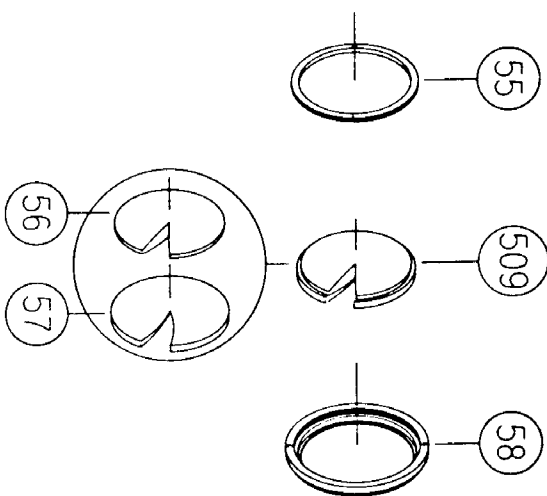
70-210MM 1:4



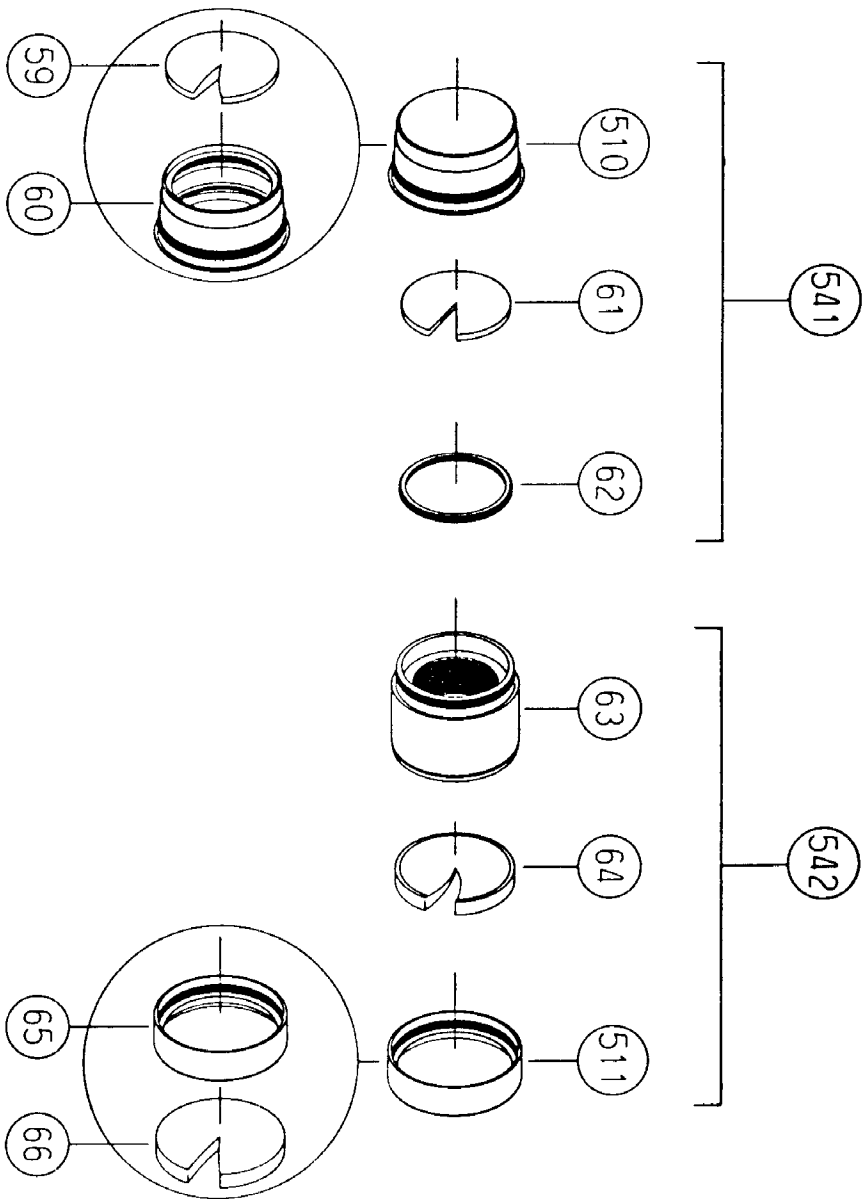
501-1st LENS GROUP
70-210MM F4



502-2ND LENS GROUP
70-210MM F4



503-3rd LENS GROUP
70-210MM F4



504-4TH LENS GROUP
70-210MM F 4

PART NUMBER REF. PART DESCRIPTION QUANTITY C N M O P Y K

PART NUMBER	REF.	PART DESCRIPTION	QUANTITY	C	N	M	O	P	Y	K
K59710	88	LEVER, DIAPHRAGM	1	1						
K59910	89	SPRING, BLADE OPERATING	1							
K59716	90	RING, APERTURE CAM	1							
K59709	91	RING, BLADE OPERATING	1							
K59711	92	RING, APERTURE CAM	1							
K59723	93	RING, BLADE OPERATING	1							
K59724	94	LEVER, DIAPHRAGM ACTUATOR	1							
K59804	95	RIVET	1							
K59041	96	HOUSING, DIAPHRAGM B	1							
K59713	97	RING, APERTURE CAM	1							
K59719	98	RING, APERTURE CAM	1							
K59721	99	RING, APERTURE CAM	1							
K53007NB	100	RING, INDEX	1							
Z75918B	101	SETSCREW, 1.4 X 2.0	3	3						
K17026	102	FRAME, NIKON MOUNT	1							
V82711	103	PLATE, APERTURE RING STOPPER	1							
Z75922B	104	SCREW, PANHEAD 1.4 X 1.8	2		6					4
K53008NB	105	RING, APERTURE	1							
Z75920	106	SPRING, DETENT	1							
Z75919	107	BALL, STEEL 1.6	1							
Z75747	108	PLATE, COUPLING	1							
Z15917M	109	SCREW, COUPLING PLATE	1							
K54707	110	LEVER, CAM RING OPERATING	1							
V82755	111	WASHER, NIKON MOUNT	1							
V82015	112	RING, BALL RETAINER	1							
Z71012	113	RING, DIAPHRAGM ACTUATOR	1							
K59707	114	LEVER, DIAPHRAGM ACTUATOR A	1							
K59726	115	LEVER, DIAPHRAGM ACTUATOR B	1							
V82803	116	POST, SPRING	1							
Z71915	117	SPRING, DIAPHRAGM ACTUATOR	1							
V82017	119	MOUNT, NIKON	1							
V82909M	120	SCREW, PANHEAD 1.7 X 4.5	5							
Z75963M	121	SCREW, FLATHEAD 1.4 X 2.5	2							
Z75934M	122	SCREW, STOPPER	2							
K59033	123	COVER, REAR	1							
K53007MB	124	RING, INDEX	1							
K17041	125	FRAME, MINOLTA MOUNT	1							
Z75926B	126	SCREW, PANHEAD 1.4 X 1.8	2		4					2
K59042MB	127	RING, APERTURE	1							
Z75994	128	PLATE, MD	1							
Z15921	129	SCREW, PANHEAD 1.4 X 2.3	2							
K59727	130	PLATE, CAM RING OPERATING	1							
V82061	131	RETAINER, APERTURE RING	1							
K90910B	132	SCREW, FLATHEAD 1.4 X 4.0	3							

C N M O P Y K

K59 KIRON 70-210MM F4 MACRO ZOOM

PART DESCRIPTION QUANTITY C N M O P Y K

PART NUMBER	REF. NUMBER	PART DESCRIPTION	QUANTITY	C	N	M	O	P	Y	K
K80741	139	WASHER, MINOLTA MOUNT	1							
K24021	134	RING, BALL RETAINER	1							
K59038	135	RING, DIAPHRAGM ACTUATOR	1							
W25932	136	POST, SPRING	1							
K59918	137	POST, SPRING	1							
K59917	138	POST, DIAPHRAGM ACTUATOR	2							
K59911	139	SPRING	1							
K59717	140	LEVER, DIAPHRAGM ACTUATOR A	1							
K59037	141	RING, BALL RACE	1							
K59718	142	LEVER, DIAPHRAGM ACTUATOR B	1							
V82063	143	MOUNT, MINOLTA	1							
V82937	144	SPRING, DIAPHRAGM ACTUATOR	1							
Z75986W	145	SCREW PANHEAD 1.7 X 4.9	5							
K80040	146	COVER, REAR	1							
K53007CB	147	RING, INDEX	1							
K17031	148	FRAME, CANON MOUNT	1							
K53009CB	149	RING, APERTURE	1							
Z75956	150	SPRING, DETENT	2							
K24725	151	PLATE, EE SWITCH	1							
Z85910B	152	SCREW, PANHEAD 1.4 X 2.8	4							
K24724	153	PLATE, APERTURE COUPLING	1							
V82027	154	RING, APERTURE RING RETAINER	1							
Z75968B	155	SCREW, FLATHEAD 1.4 X 3.0	3							
K24820	156	PIN, EE	1							
K75940	157	SPRING, EE PIN	1							
K80740	158	WASHER, CANON MOUNT	1							
V82030	159	RING, SPRING, COLLAP	1							
K24038	160	PLATE, MOUNT	1							
V82806	161	POST, DIAPHRAGM ACTUATOR SPRING	1							
V82804	162	POST, APERTURE SIGNAL RING SPRING	1							
K24952	163	SPRING, DIAPHRAGM ACTUATOR	1							
V82947	164	SPRING, APERTURE SIGNAL RING	1							
K24726	165	STOPPER, DIAPHRAGM ACTUATOR RING	1							
K24727	166	STOPPER, APERTURE SIGNAL RING	1							
K24925B	167	SCREW, PANHEAD 1.7 X 2.5	2							
Z75934B	168	SCREW, MOUNTING GUIDE	1							
Z15918W	169	SCREW, PANHEAD 1.4 X 1.5	2							
K24729	170	PLATE, LOCKING	1							
K24815	171	POST	1							
K24957B	172	SCREW, PANHEAD 1.7 X 7.0	3							
Z75912B	173	SCREW, FLATHEAD 1.4 X 2.0	6							
K54036	174	RING, APERTURE SIGNAL	1							
K24951	175	POST, SPRING	2							
K54712	176	LEVER, APERTURE SIGNAL	1							
K24041	177	RING, BALL RETAINER A	1							

C N M O P Y K

K59 KIRON 70-210MM F4 MACRO ZOOM

PART REF. PART DESCRIPTION QUANTITY C N M O P Y K

NUMBER	REF.	PART DESCRIPTION	QUANTITY
V82028	178	RING, DIAPHRAGM ACTUATOR	1
K59712	179	LEVER, DIAPHRAGM ACTUATOR	1
K24821	180	RIVET	2
K24042	181	RING, BALL RETAINER B	1
K80035	182	COVER, REAR	1
K24818	183	PIN	1
K24819	184	PLATE, MAX APERTURE	1
K24043	185	RING, LOCKING	1
K24731	186	LEVER, LOCKING RING	1
K53030KB	187	RING, INDEX	1
K53028	188	FRAME, KONICA MOUNT	1
Z71717	189	PLATE, APERTURE RING STOPPER	1
K53029KB	190	RING, APERTURE	1
K53709	191	LEVER, DIAPHRAGM ADJUSTMENT	1
K53710	192	PLATE, DIAPHRAGM ADJUSTMENT LEVER	1
V82738	193	SPRING, EE BUTTON	1
V82818	194	BUTTON, EE	1
V82757	195	WASHER, KONICA MOUNT	1
V82052	196	RING, BALL RETAINER	1
V82053	197	RING, DIAPHRAGM ACTUATOR	1
K59725	198	LEVER, DIAPHRAGM ACTUATOR A	1
V82737	199	LEVER, DIAPHRAGM ACTUATOR B	1
Z75913B	200	SCREW PANHEAD 1.7 X 3.0	2
Z75957	201	SPRING, DIAPHRAGM ACTUATOR	1
V82054	202	MOUNT, KONICA	1
Z75961	203	SCREW, STOPPER	1
Z75985W	204	SCREW, PANHEAD 1.7 X 4.9	3
K59043	205	COVER, REAR	1
K59044	206	RING, MAXIMUM APERTURE SIGNAL	1
K530070B	207	RING, INDEX	1
K17036	208	FRAME, OLYMPUS MOUNT	1
K530100B	209	RING, APERTURE	1
Z71724	210	LEVER, APERTURE SIGNAL A	1
K54715	211	LEVER, CAM RING OPERATING	1
K24964	212	WASHER, OLYMPUS MOUNT	1
K24047	213	RING, BALL RETAINER	1
Z71027	214	RING, DIAPHRAGM ACTUATOR	1
K59714	215	LEVER, DIAPHRAGM ACTUATOR A	1
Z71905	216	SPRING, DIAPHRAGM ACTUATOR	1
Z71722	217	LEVER, DIAPHRAGM ACTUATOR B	1
K24049	218	RING, LOCK BUTTON RETAINER	1
K24963W	219	SCREW, FLATHEAD 1.4 X 5.0	3
K24756	220	PLATE, LOCK BUTTON GUIDE	1
Z75912W	221	SCREW, FLATHEAD 1.4 X 2.0	5
Z71726	222	LEVER, MANUAL	1

C N M O P Y K

K59 KIRON 70-210MM F4 MACRO ZOOM

PART NUMBER REF. PART DESCRIPTION QUANTITY

PART NUMBER	REF.	PART DESCRIPTION	QUANTITY
275801	223	POST, SPRING	1
K34962	224	SPRING, MANUAL LEVER	1
K24958	225	SCREW, MANUAL LEVER	1
K24739	226	PLATE, GUIDE	1
K24737	227	PLATE, LOCK SPRING	1
K24050	228	RING, APERTURE SIGNAL	1
K24741	229	LEVER, APERTURE SIGNAL B	1
K24051	230	MOUNT, OLYMPUS	1
Z15808	231	BUTTON, MANUAL	1
K24960	232	SCREW, GUIDE	1
K24979	233	SCREW, STOPPER	1
K24968	234	SCREW, PANHEAD 1.7 X 8.0	3
Z15807	235	BUTTON, LOCK	1
Z75741	236	PLATE, LOCK	1
K24959	237	SCREW, LOCK PLATE	1
Z71029	238	COVER, REAR	1
K53007PB	239	RING, INDEX	1
K17045	240	FRAME, PENTAX MOUNT	1
V82732	241	PLATE, APERTURE RING STOPPER	1
K53013PB	242	RING, APERTURE	1
K54721	243	LEVER, CAM RING OPERATING	1
V82757	244	WASHER, PENTAX MOUNT	1
K24753	245	RETAINER, APERTURE SIGNAL RING	1
V82046	246	RING, APERTURE SIGNAL	1
K24062	247	RING, BALL RETAINER	1
K54046	248	RING, DIAPHRAGM ACTUATOR	1
K59720	249	LEVER, DIAPHRAGM ACTUATOR A	1
V82729	250	LEVER, DIAPHRAGM ACTUATOR B	1
K24061	251	MOUNT, PENTAX	1
V82929	252	SPRING, DIAPHRAGM ACTUATOR	1
W25923W	254	SCREW, PANHEAD 1.7 X 4.0	5
K59039	255	COVER REAR	1
K53007YB	256	RING, INDEX	1
K53024	257	FRAME, YASHICA/CONTAX MOUNT	1
K53023YB	258	RING, APERTURE	1
K59728	259	LEVER, APERTURE SIGNAL A	1
K53905	260	WASHER, YASHICA/CONTAX MOUNT	1
K53022	261	RING, BALL RETAINER	1
K53020	262	RING, DIAPHRAGM ACTUATOR	1
K59722	263	LEVER, DIAPHRAGM ACTUATOR A	1
K53704	264	LEVER, DIAPHRAGM ACTUATOR B	1
K53708	265	RETAINER, APERTURE SIGNAL RING	1
K53021	266	RING, APERTURE SIGNAL	1
K53702	267	LEVER, APERTURE SIGNAL B	1

C N M O P Y K

FL590/6 9/82

SPARE PARTS LIST

K59 KIRON 70-210MM F4 MACRO ZOOM

PART NUMBER	REF. NUMBER	PART DESCRIPTION	QUANTITY	C N M O P Y K
-------------	-------------	------------------	----------	---------------

K53019	268	MOUNT, YASHICA/CONTAX	1	
K59040	269	COVER, REAR	1	
K53707	270	LEVER, MAXIMUM APERTURE	1	
K59003		HOOD	1	
Z85573		CAP, REAR CANON	1	
Z85571		CAP, REAR NIKON	1	
Z85572		CAP, REAR MINOLTA	1	
Z85575		CAP, REAR OLYMPUS	1	
Z75585		CAP, REAR PENTAX	1	
K53027		CAP, REAR YASHICA/CONTAX	1	
Z85574		CAP, REAR KONICA	1	

C N M O P Y K

