

Vivitar

Illustrated Parts List



Exposure Meter Model 35

Publication No. 3746084 / November 1977

HOW TO USE THIS PUBLICATION

HOW TO FIND PART ORDER NUMBERS

Parts are illustrated on exploded view drawings where each part is identified by a reference number or designator. These reference numbers appear in sequence in the parts lists where they are cross-referenced to the part numbers and descriptions.

When a part is not available separately it will be so indicated by a footnote and can be obtained by ordering the assembly containing it. The part number of that assembly may be shown immediately to the right on the same line in an "Included in Assembly" column or at the end of the parts list(s).

CAUTION

This publication is intended for use by persons having skills and equipment needed to service the subject product(s) safely and correctly. Users are cautioned that special tools and/or test equipment may be required for proper disassembly, reassembly, alignment, or adjustment or damage to the product may result.

WARNING

The product herein described is electrically operated. Its servicing will require extreme caution. Improper handling could result in serious or fatal personal injury and damage to the product.

Notice: Information contained herein is subject to change without notice.

HOW TO ORDER PARTS

Please furnish the model number and serial number of the product for which parts are being ordered. For each part requested, please supply part number, description, and required quantity. Mail or phone parts orders to:

U.S.A.

Vivitar Corporation
Central Parts Service
2700 Pennsylvania Avenue
Santa Monica, CA 90406
Tele: (213) 829-3672
or (213) 870-0181

CANADA

Vivitar Canada Ltd/Ltee
5211 Creekbank Road
Mississauga, Ontario, L4W1R3
Canada
Tele: (416) 624-1761

BELGIUM

Vivitar Belgium, S.A.
29, Passage International
Boite 35
1000 Brussels, Belgium
Tele: 2 2191277
or 2 2191383

FRANCE

Vivitar France, S.A.
41-43 Rue de Villeneuve
Silic 197
94563 Rungis, France
Tele: 687-3235

WEST GERMANY

Vivitar Photo-Elektronik, Gmbh
Vivitar Strasse 7-9
6238 Hofheim T/S
West Germany
Tele: 06192/7040

HOLLAND

Vivitar B.V.
Postbus 168
NL3640 AD
Mijdrecht, Holland
Tele: (02979) 2001

UNITED KINGDOM

Vivitar U.K. Ltd
Vivitar House
Ashville Trading Estate
Nuffield Way
Abingdon, Oxon LX14 1RP
United Kingdom
Tele: (0235) 26600

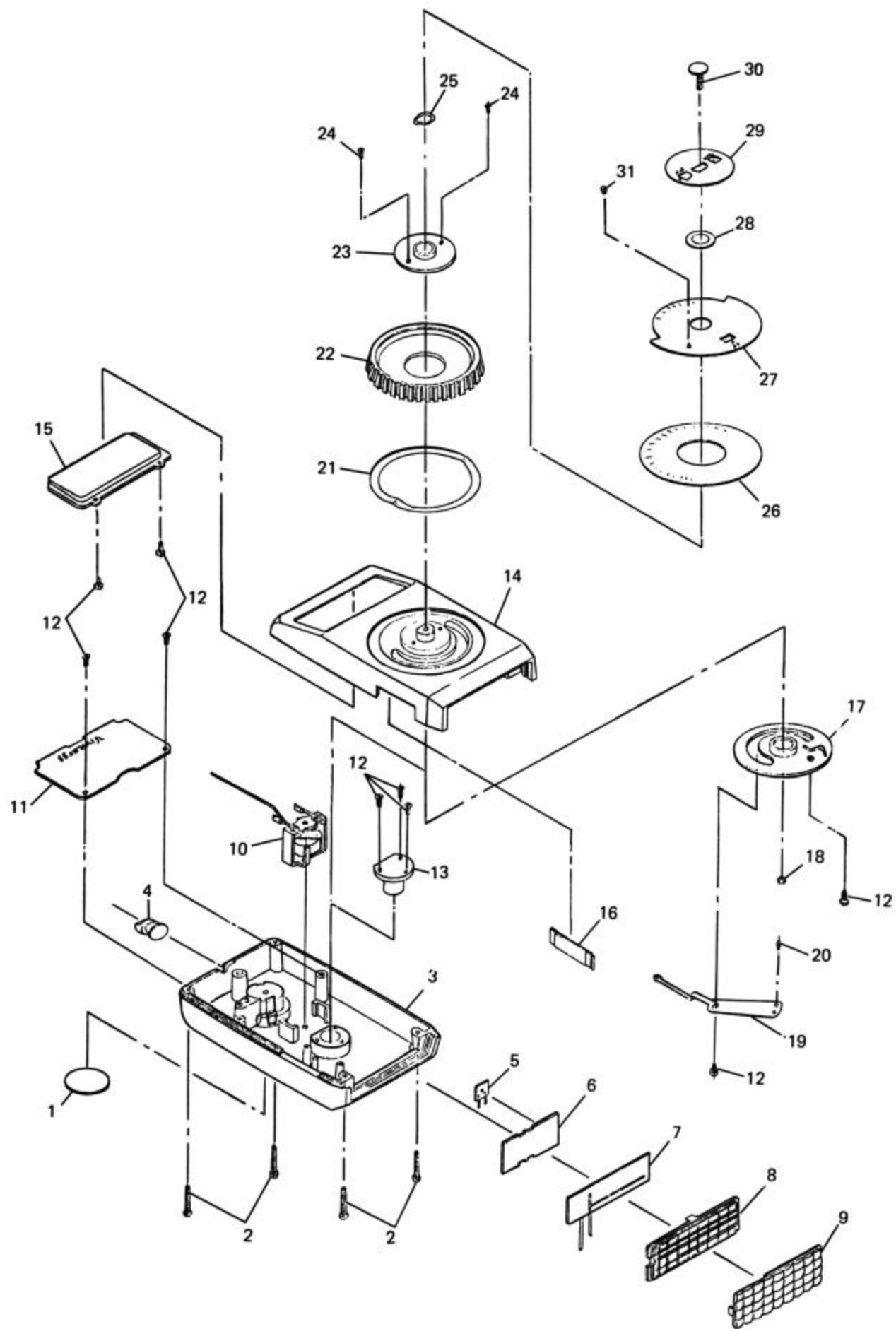
ASIA, OCEANIA, AFRICA, MIDDLE EAST, CARIBBEAN, LATIN AMERICA

Vivitar Japan Ltd
Marusho Bldg., 6th Floor
12 Yotsua 3-Chome
Shinjuku-Ku
Tokyo 160, Japan
Tele: 357-6021

VIVITAR EXPOSURE METER MODEL 35

GENERAL SPECIFICATIONS

Type	Reflected light meter, selenium cell
Film Speed Range	ASA 6 to 25,000 DIN 9 to 45
Shutter Speed Range	1/8000 of a second to 15 minutes
Aperture Range	f1 to f64
EV Range	5.5 to 17.5 at ASA 100 (DIN 21)
Movie Scale Range	8 to 128 frames per second
Angle of Acceptance	30°



PARTS LIST
VIVITAR EXPOSURE METER MODEL 35

REFERENCE NUMBER	DESCRIPTION	PART NUMBER
1	COVER, DISK	3101143
2	SCREW A, M2	3101103
3	CASE, BOTTOM	3101111
4	HOOK	3101112
5	RESISTOR, SEMI-FIXED	3101105
6	BOARD, PRINTED CIRCUIT	3101106
7	CELL, PHOTO	3101144
8	FRAME, GRID	3101145
9	PHOTO CELL, LENS	3101146
10	MOVEMENT, METER	3101113
11	PLATE, MASK	3101147
12	SCREW B, M2	3101119
13	SCREW, SOCKET	3101114
14	CASE, UPPER COVER	3101126
15	WINDOW, NEEDLE	3101127
16	SWITCH, COVER	3101148
17	CUM, MATCH NEEDLE	3101149
18	NUT, M3	3101129
19	NEEDLE, MATCH	3101130
20	PIN, MATCH NEEDLE	3101142
21	WASHER A, SPRING	3101131
22	DIAL	3101150
23	RING, DIAL	3101151
24	SCREW C, M2	3101152
25	WASHER B, SPRING	3101135
26	T-SCALE	3101153
27	F-SCALE	3101154
28	WASHER	3101139
29	ASA, SCALE	3101155
30	FIXING SCREW, DIAL	3101141
31	PIN, ASA SWITCH	3101156



Prepared by:
Technical Publications Department

Vivitar Corporation
Corporate Offices:
1630 Stewart Street, Santa Monica, Ca 90406

Printed in U.S.A.

Vivitar is an International Trademark of Vivitar Corporation

This pdf version created by boggy, November 2015