

Figure S-1. Electrical Schematic Diagram

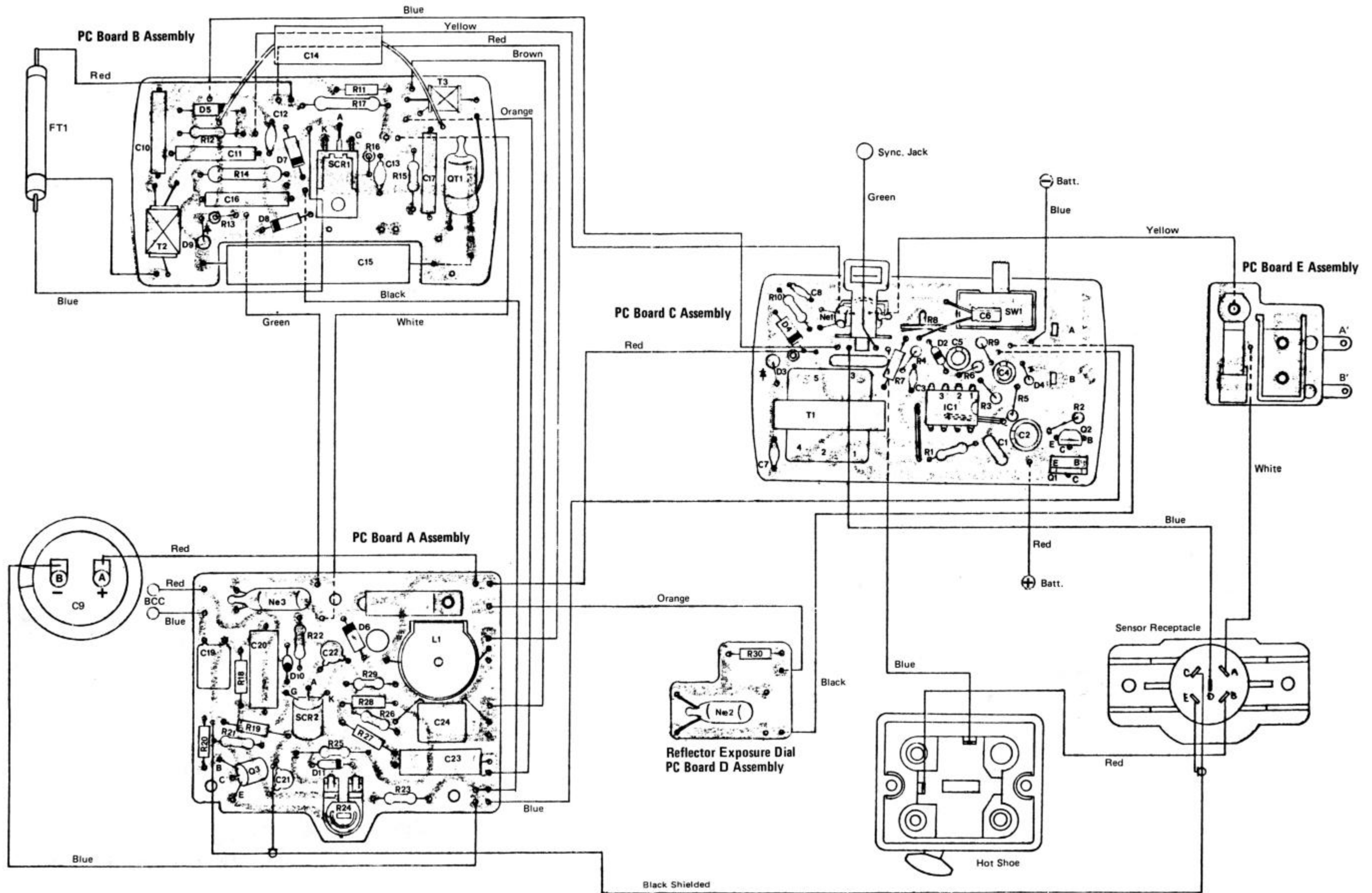


Figure S-2. Printed Circuit Boards and Wiring Connections

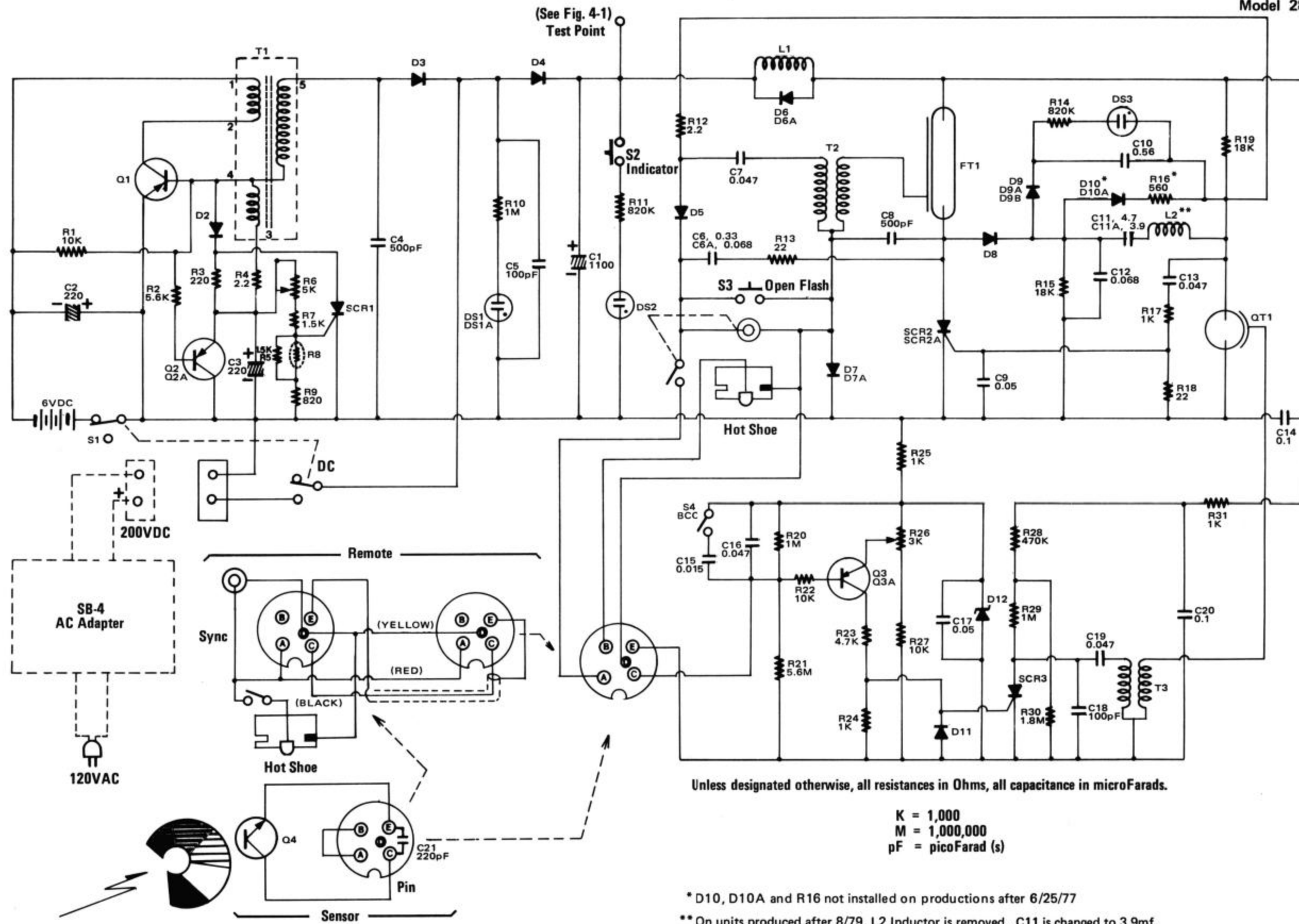
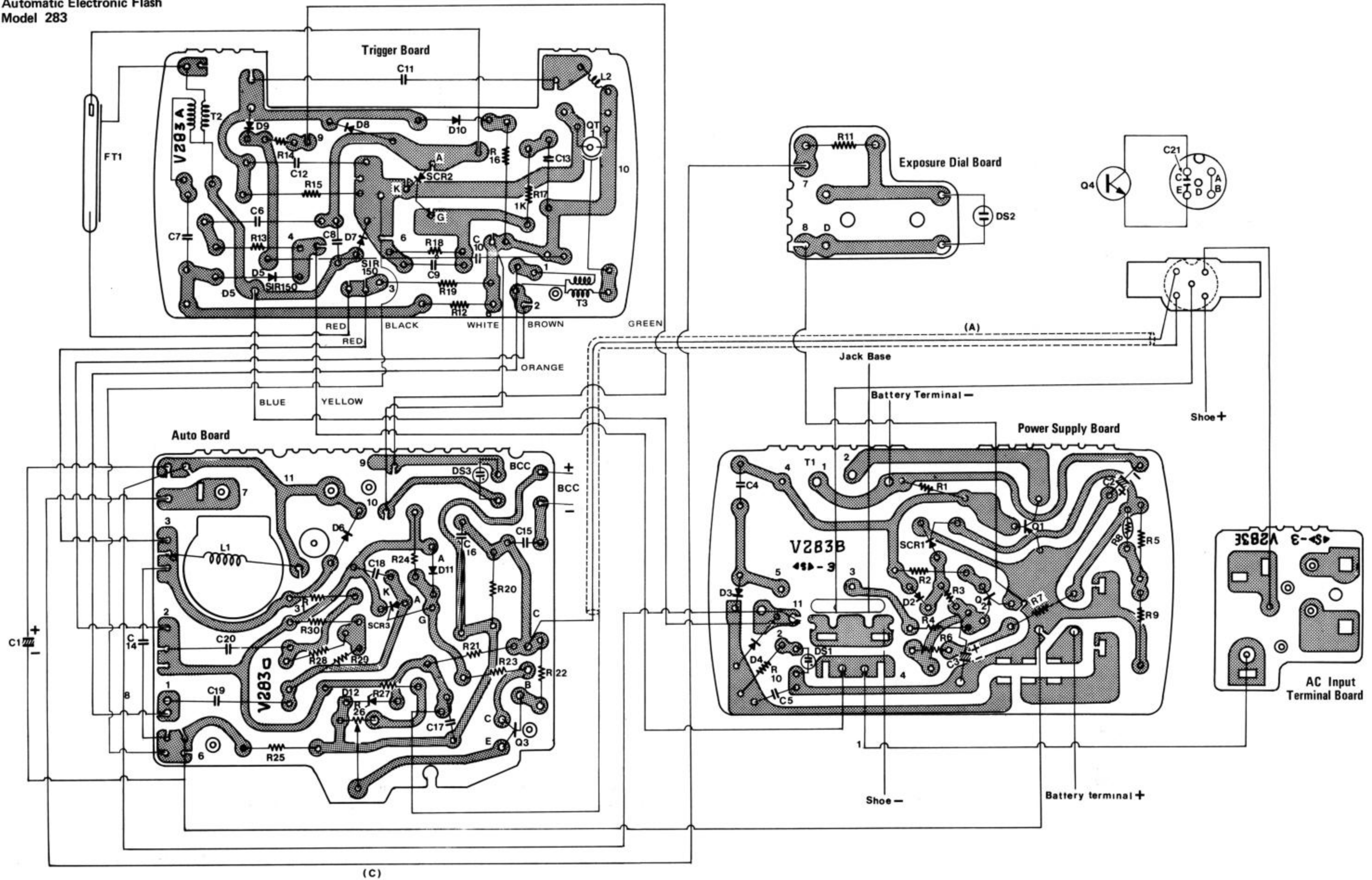


Figure 5-6. Schematic Diagram

Automatic Electronic Flash  
Model 283



(C)