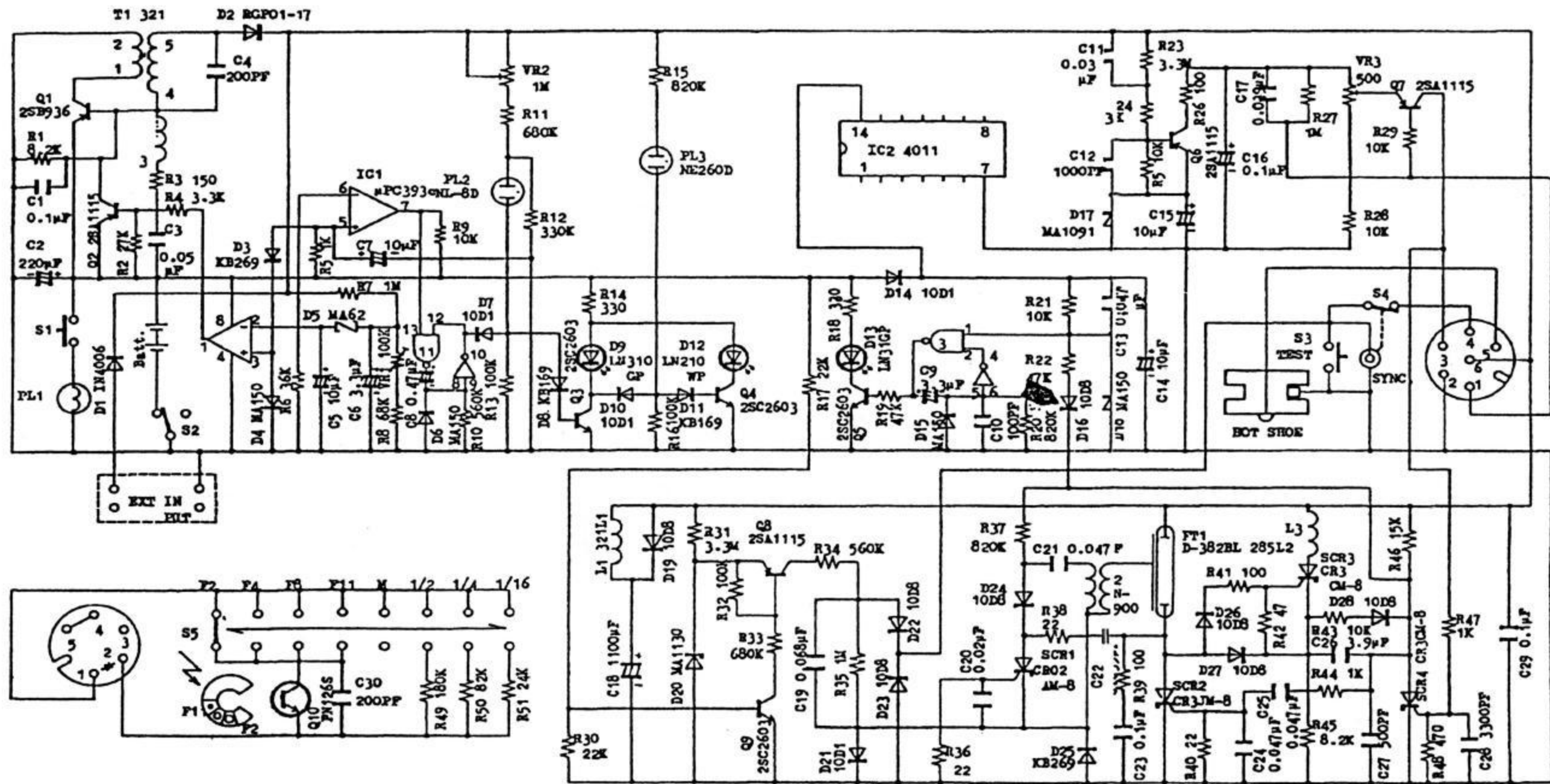


SCHEMATIC DIAGRAM - 1



SCHEMATIC DIAGRAM - 2

