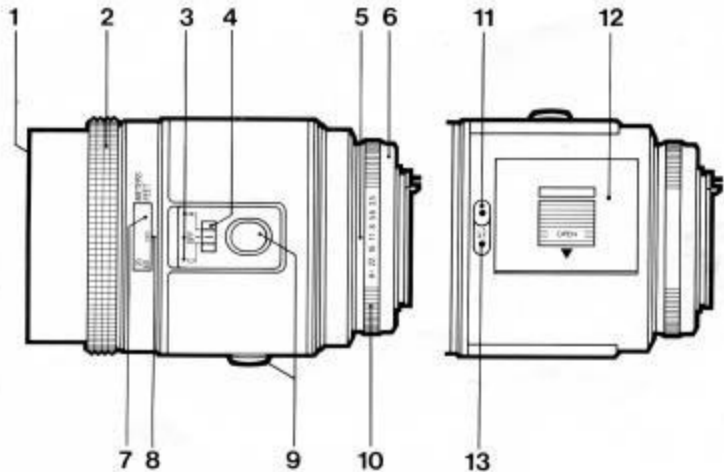


Vivitar Series

1

Auto focus 200mm f3.5



Controls and Components

1. 67mm Filter, Lens Shade Ring
2. Focusing Ring
3. Autofocus Modes
4. Autofocus Mode Selector
5. Aperture Index Dot
6. Lens Mount
7. Distance Scales
8. Distance Index Line
9. Autofocus Push Buttons
10. Aperture Ring
11. Battery Check Button
12. Battery Compartment Cover
13. Battery Check LED

Installing the Batteries

Three AAA alkaline batteries are used to power the Vivitar Autofocus Lens. To install:

1. Set the Autofocus Mode Switch to the OFF position.
2. Open the Battery Compartment Cover by sliding it in the direction of the arrow and lifting it outward with your thumbnail. Do not try to open the door past its stop point.
3. Align each battery so that its + and - polarity markings correspond to the markings on the bottom of the battery compartment. Insert the positive (+) end of the battery into the compartment first, and push it against the raised metal terminal of that compartment section. Then press the other (flat) end of the battery into the compartment.
4. After the 3 batteries have been inserted, press the Battery Check Button to test the batteries and their installation. If the Battery Check LED does not light, the batteries are either dead or installed incorrectly.
5. Close the Battery Compartment Cover and push in the direction of the arrow until it snaps down into place.

Mounting the Lens

Your Vivitar Autofocus Lens will mount on your camera in the same manner as your normal lens. While mounting your lens, leave the front lens cap on to avoid smudging the front element.

Holding the Lens and Camera

For easiest handling and operation, support the lens/camera combination with your left palm under the lens. This places your left thumb in position to operate the side Autofocus Push Button for horizontal format shots. To shoot vertically, rotate the right side of the camera upward so that the top Autofocus Push Button is now in position near your left thumb. Your right hand is free to operate the camera controls.

Setting the Aperture

This lens has an automatic aperture which lets you focus your picture with the aperture wide open. At the moment of shutter release, the aperture will automatically stop down to a pre-selected setting or, as determined by the camera's metering and exposure control system.

Lenses for Automatic Cameras

Many of today's cameras are designed to automatically adjust the lens aperture. Your Vivitar lens is fully compatible with these systems.

Canon and Pentax KA (P/K•A): Canon and Pentax KA mount lenses have a green "A" position on the aperture ring for automatic operation. Depress the Aperture Ring lock button and set the green "A" to the red Aperture Index Dot.

Fujica: Fujica mount lenses have a yellow "♦" symbol engraved on the Aperture Ring. For automatic operation, set this symbol to the red Aperture Index Dot.

Konica: Konica mount lenses have an Aperture Ring that locks with a positive "click" when the green "AE" position is set to the red Aperture Index Dot. To remove from AE operation, press the AE lock button and turn the Aperture Ring to the specific f-stop you want.

Minolta: On Minolta mount lenses, the minimum aperture setting is engraved in green. When using this lens in automatic mode on correspondingly equipped cameras, set this minimum aperture position to the red Aperture Index Dot.

Focusing

Vivitar's unique Autofocus design lets you concentrate on the composition of your picture. . . the lens will take care of the focusing. There are three focusing modes: continuous autofocusing (C), single autofocusing (A), and manual, non-autofocusing. OFF.

Continuous Autofocusing Mode (C)

This mode is particularly useful when using your camera with a motor drive or when following a moving subject until it gets to the position where you wish to take the shot.

1. To set the lens for continuous autofocusing, slide the Autofocus Mode Selector to the "C" position.
2. Center your subject in the focusing field (split image, microprism screen, etc.) of your camera and press either of the Autofocus Buttons and hold it in. As long as the Autofocus Button is held in, the lens will focus on the subject in the viewfinder focusing field and will automatically adjust the focus as the subject and/or camera moves.
3. While keeping the Autofocus Button depressed, take the picture at the desired moment.
4. When the Autofocus Button is released, the lens returns to a "stand-by" mode and remains at the last focused position.

Single Autofocusing Mode (A)

This operating mode is used mainly when photographing subjects which are slow moving or stationary.

1. To set the lens for single autofocusing, slide the Autofocus Mode Selector to the "A" position.
2. Center your subject in the focusing field (split image finder, microprism screen, etc.) of your camera. While aiming at your subject, press either of the Autofocus Buttons and hold it in. The lens will focus on the subject and, when focusing is optimum, will emit two short beeps and hold that focus. Once "focus locked" onto the subject image, the autofocusing system will not respond until the Autofocus Button is released and depressed again.
3. Take the picture.
4. When the Autofocus Button is released, the lens returns to a "stand-by" mode.

Manual Focusing

1. When autofocusing is not required or if your batteries fail, you may manually focus the lens in any mode as long as the motor is not functioning.
2. Rotate the Focusing Ring to focus, just as with a conventional lens.

***IMPORTANT:** When the lens is not being used, set the Mode Selector to OFF. Batteries will drain completely in one month, if the Mode Selector is left in the C or A position.*

Distance to Subject

Once focused, you can determine the approximate distance between camera and subject, (useful in flash and infrared photography) by reading the Distance Scale at the Distance Index Line.

Use of Teleconverters

The autofocus system of this lens is completely compatible with most high quality teleconverters, including the Vivitar 2X Macro Focusing Teleconverter. Use of a 2X converter on this lens will produce a 400mm f/7.0 autofocus lens system!

Use of Polarizing Filters

"Normal" or standard type polarizers may be used with this lens. It is *not* necessary to use any special type of polarizer.

Depth of Field

Depth of field is the area of acceptable sharpness in front of and behind the subject in focus. This depth is determined by three factors: the lens aperture, the focal length, and the distance to subject. Increasing aperture size and/or focal length reduces the depth of field around a given subject. Decreasing aperture and/or focal length has the opposite effect.

In contrast, depth of field increases as distance to subject increases and vice versa.

This variability of the depth of field offers you creative possibilities — by opening the lens to wider apertures you can blur out unwanted backgrounds and foregrounds, something which is particularly pleasing in portrait and still-life photography.

Lens Care

1. It is a good idea to keep a Skylight 1A or UV filter on your lens at all times. This not only improves photographs, but also protects the front lens element from dirt and scratches.
2. Keep your lens dust free by making sure both front and rear lens caps are in place when it's not on the camera.
3. Clean your lens with an air brush, anti-static brush or wipe it lightly with a clean camel-hair brush or lens tissue with lens cleaning fluid. In **extreme** cases, use a clean, soft cotton cloth moistened with medical alcohol. Never rub the lens surface with your finger, clothing or any other possibly abrasive material. This may scratch the lens coating and cause damage to the element surface.
4. Always store your lens in a cool, dry place. It's a good idea to store it with the silica gel packet supplied, especially during wet or humid weather.
5. When storing the lens for an extended period of time, it is a good idea to remove the batteries in order to avoid damage to the lens from accidental battery leakage.

AUTOFOCUS SYSTEM:

Detection Method: TTL Aberration Detection with CCD detector

Focus System: Coreless high speed motor
(internal focusing; non-rotating front element)

Usable Illumination Range for Detection System: EV5 — EV17
(at ISO/ASA 100)

Usable Temperature Range for Detection System: —10°C to 40°C

Power Source: 3 AAA alkaline batteries (4.5 V)

Battery Life: 35 rolls of 36 exposure film

Specifications subject to change without notice. Length and weight may vary slightly depending on lens mount.

Vivitar®

Vivitar Corporation
Santa Monica, California 90406 U.S.A.

Printed in Japan / Imprimé au Japon / Impreso en el Japón
© 1984 Vivitar Corporation 5/84